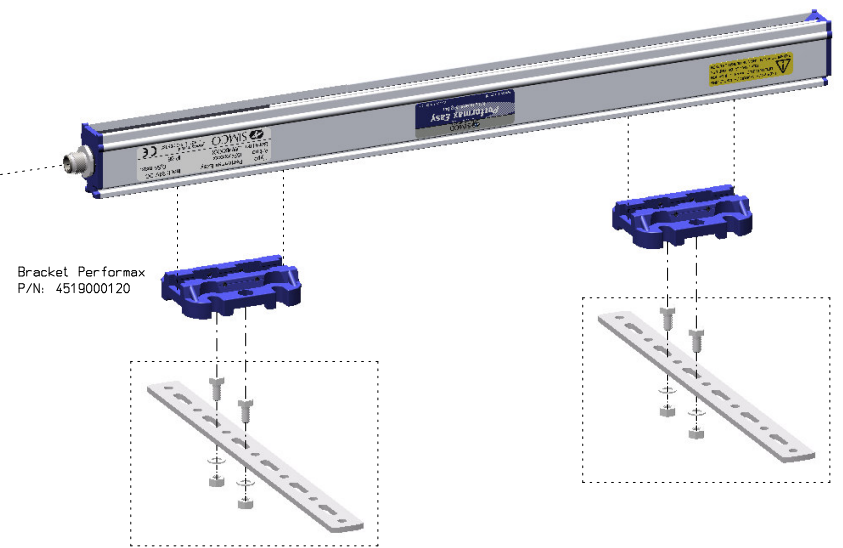
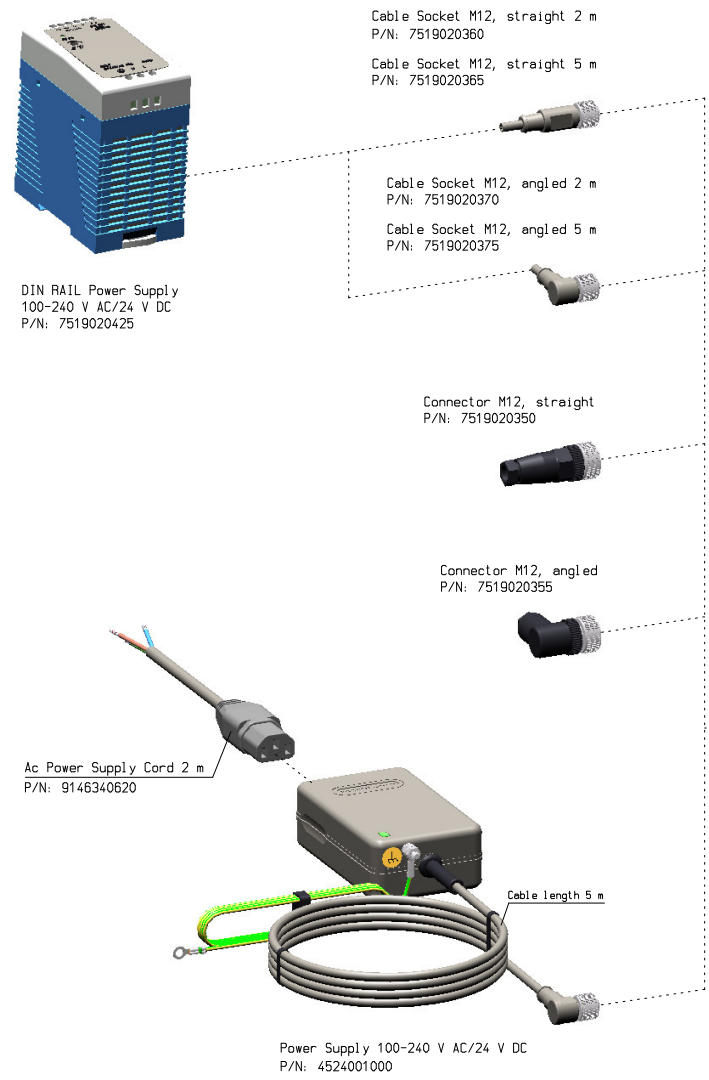


Specifications		
	Performax Easy	Performax Easy Speed
Available effective length	270mm to 3690mm	90mm to 3810mm
Calculation	$(n \times 180) + 90$	$(n \times 60) + 30$
Overall length	= Eff.L. + 180	= Eff.L. + 180
$(n = \text{variable (number of distance between high voltage points)})$		



Roughness acc. to ISO 1302	Dimensions tolerated acc. to ISO 129	Tolerances of form and position acc. to ISO 1101	Dimensions in mm.	-	-	-	-	-	-			
 This document is the property of SIMCO (Nederland) BV and is copyright. It should not be used, copied or lent without written permission.				(XX) Control dim.		Rev. Description				Chk. Date		
				Range	0.5 - 3	+3 - 6	+6 - 30	>30	>100	>315	>1000	>2000
				middle	±0.1	±0.1	±0.2	±0.3	±0.5	±0.8	±1.2	±2
				rough	±0.5	±0.2	±0.5	±0.8	±1.2	±2	±3	±4
Name: Overview: Performax Easy options and connectors						Drawn: MvN		Part no.: —				
CAD GENERATED NOT AUTOMATICALLY UPDATED		Date: 13-11-2009		M: 1:1 A2				Check: — Dwg. no.: 15246000				