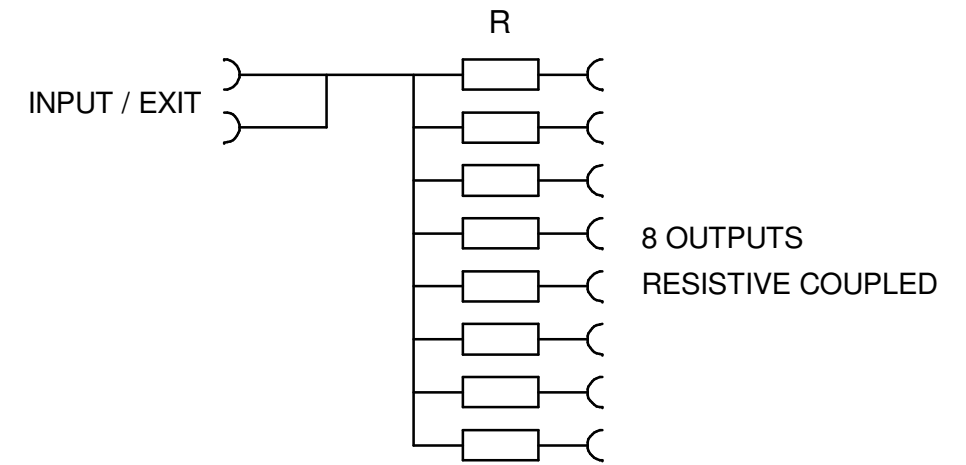
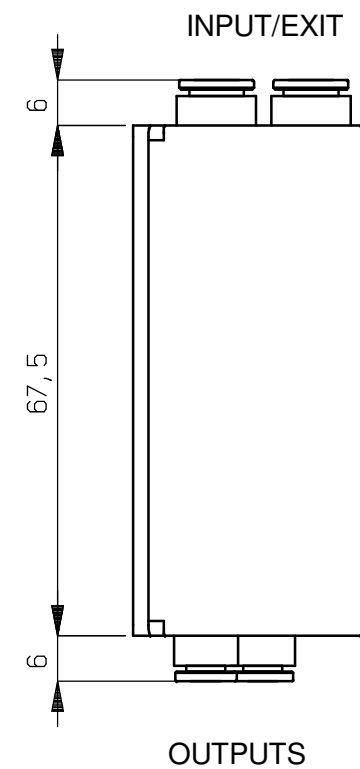
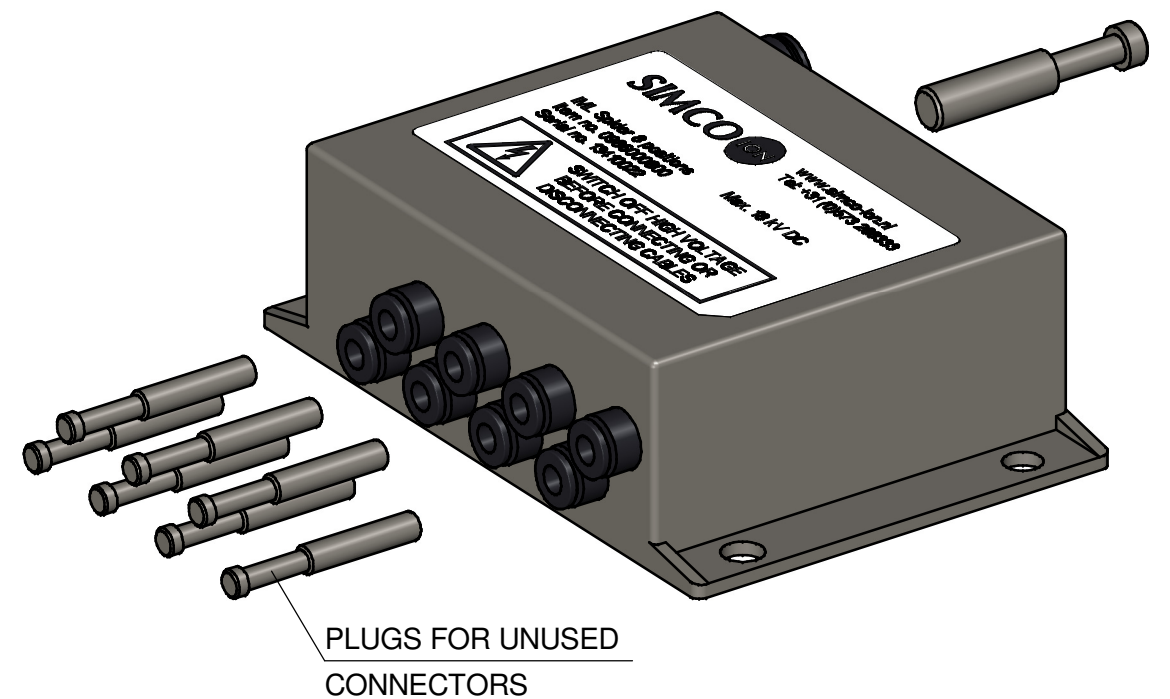
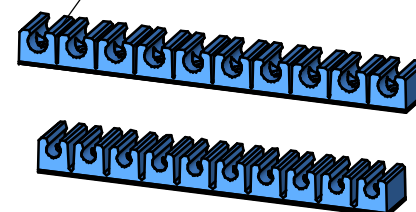


- Only for use with IML Spider components
- Maximum working voltage: 18 kV DC
- Overview IML Spider components: 09860010
- Plugs for unused connections included
- Mounting clamps for cables and electrodes included
- Cover the unused connections with the supplied plugs



MOUNTING CLAMPS FOR CABLES AND ELECTRODES



 An ITW Company	Name: IML Spider 8 positions					Drawn: AB	Part no.: 0986000800
	CAD generated NOT updated	Dimensions in mm	Date: 28-2-2013	A3	M: 1:1	ECN-	Check: - Dwg. no.: 09860000