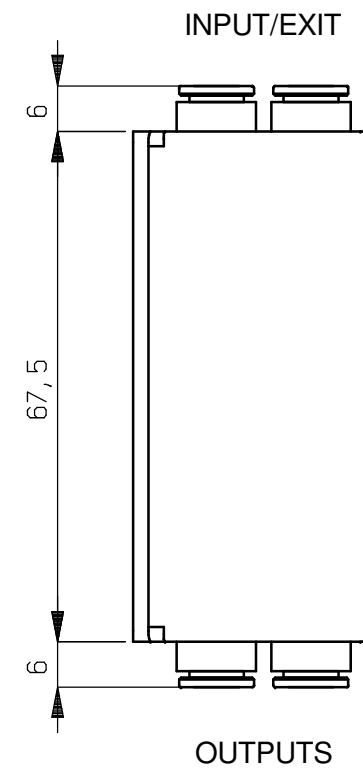
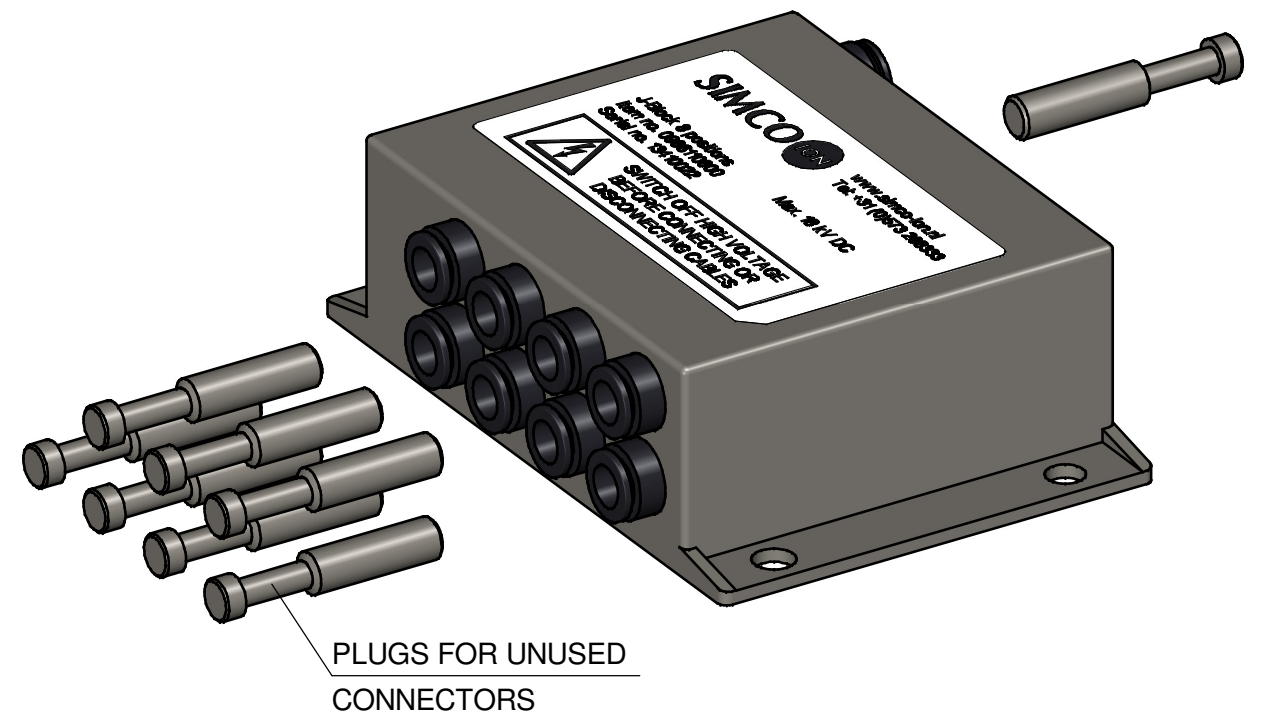
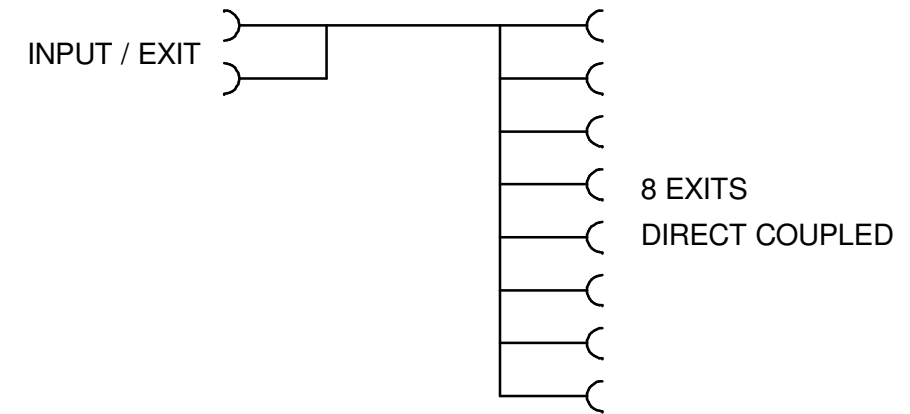


MOUNTING CLAMPS FOR CABLES



OUTPUTS

- Junction block only to be used with IML Spider components
- Maximum working voltage: 18 kV DC
- Overview IML Spider components: 09860010
- Plugs for unused connections included
- Mounting clamps for cables included
- All connections may be used as input and exit
- Cover the unused connections with the supplied plugs



PLUGS FOR UNUSED CONNECTORS

 An ITW Company	Name: J-Block 8 positions					Drawn: AB	Part no.: 0986110800
	CAD generated NOT updated	Dimensions in mm	Date: 28-2-2013	A3	M: 1:1	ECN-	Check: -