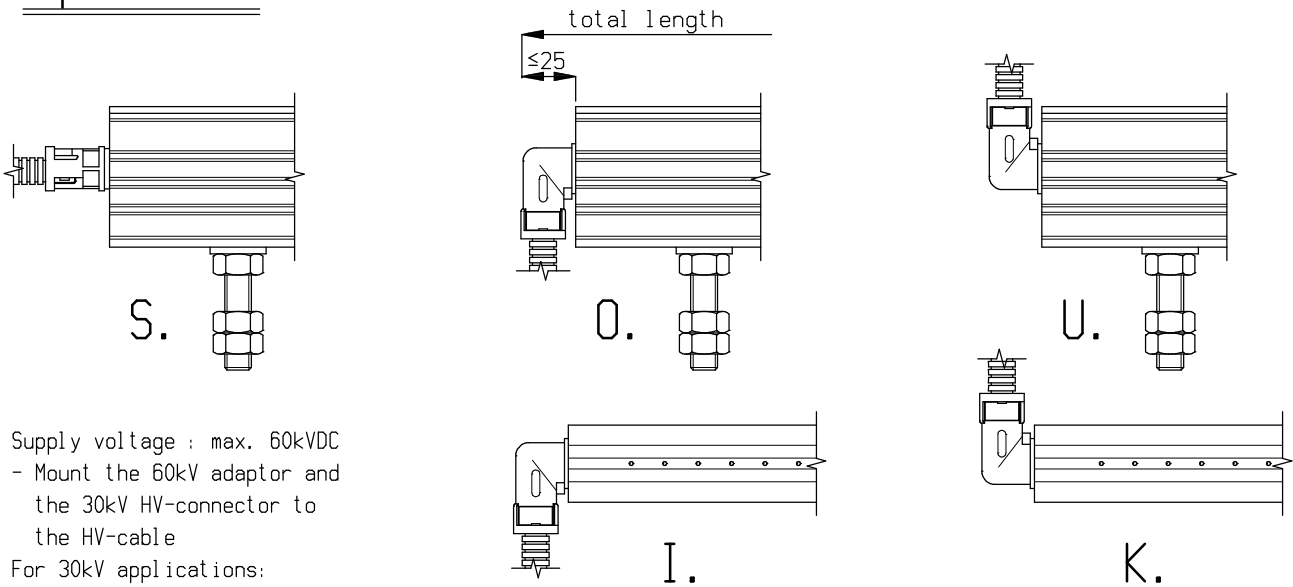


Options:



Supply voltage : max. 60kVDC
 - Mount the 60kV adaptor and the 30kV HV-connector to the HV-cable
 For 30kV applications:
 - shorten HV-cable 45mm.
 - mount the 30kV HV-connector to the HV-cable

Roughness acc. to ISO 1302	Dimensions tolerated acc. to ISO 406	Tolerances of form and position acc. to ISO 1101	Dimensions in mm.	C	Transfer "ATTENTION HIGH VOLTAGE" ECN 2005-076	19-01-2006
				B	Changed M10 nut + new Label ECN 2004-022	08-03-2004
				Rev. Description		Chk. Date
				For Simco only (XX)		
This document is the property of SIMCO (Nederland) BV and is copyright. It should not be used, copied or lent without written permission.				Range (mm) 0,5 - 3 >3 - 6 >6 - 30 >30 - 120 >120 - 315 >315 - 1000 >1000 - 2000 >2000 - 4000	Description middle rough	Chk. Date ±2 ±2 ±2 ±2 ±3 ±4
Name: Charging bar type HD-R (options)				Drawn: AB		Part no.: —
CAD GENERATED NOT AUTOMATICALLY UPDATED		Date: 07-05-2001	M: -	A3	Check:	Dwg. no.: 09320200/C