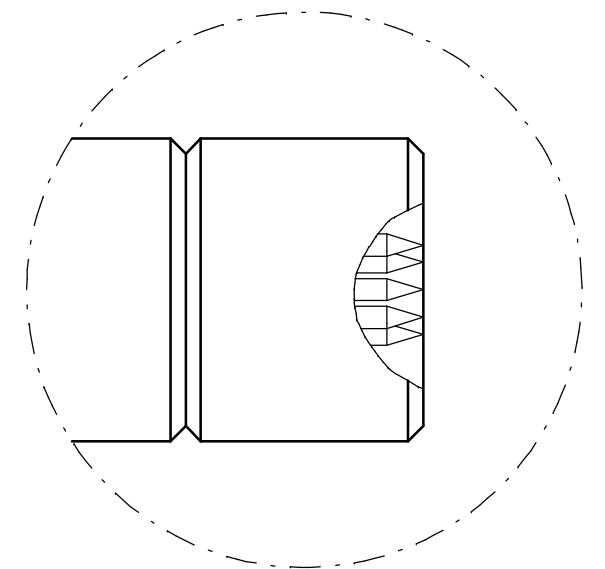
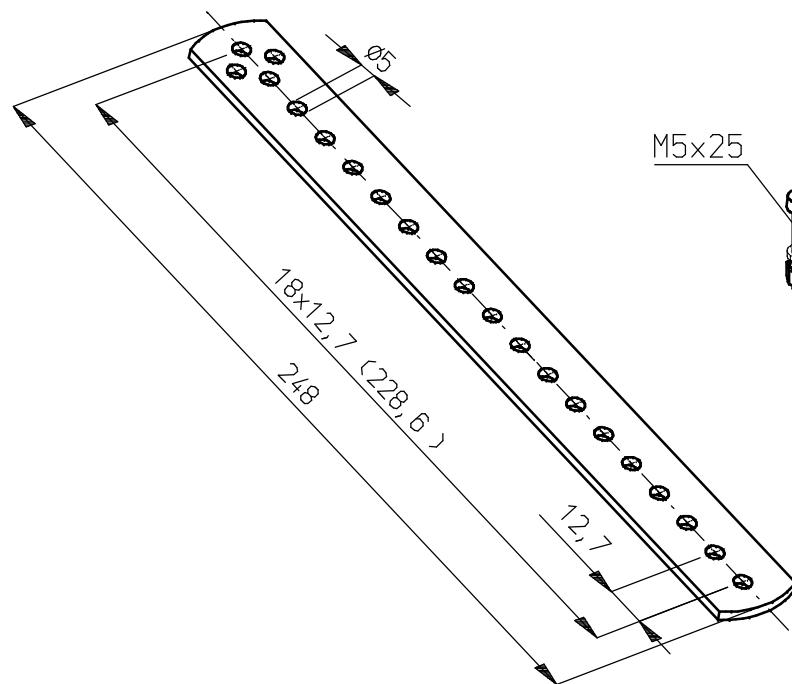


L=length HV-cable 3 meters item nr.0927053003
 L=length HV-cable 6 meters item nr.0927053006
 L=length HV-cable 9 meters item nr.0927053009

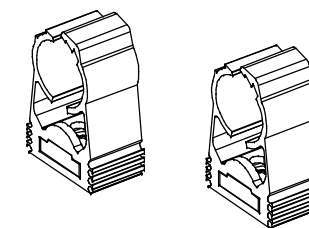


Detail HV-points
 Scale 2 : 1

Mounting materials included



Amount of cable clamps =
 (cable length(m)x4)-1



Mounting clamps

Supply voltage: max. 30 kV DC

 An ITW Company www.simco-ion.nl Tel: +31 (0)573 288333	Name: Charging electrode Pinner 5-point					Drawn: MVN	Part no.: -
	CAD generated NOT updated	Dimensions in mm	Date: 28-01-1997	A3	M: 1:1	ECN2011-070	Check: -