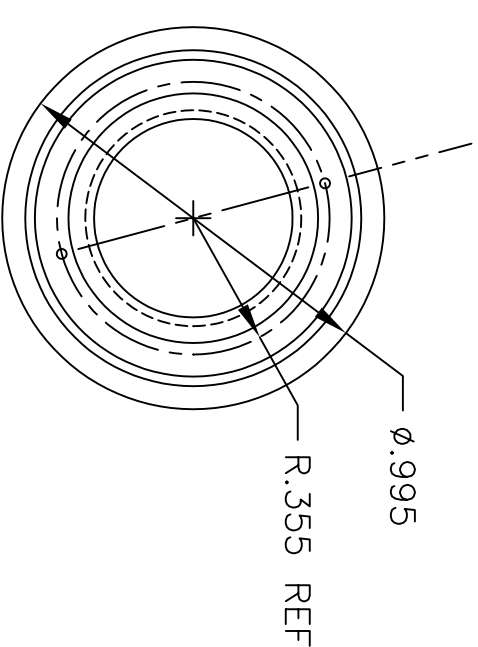
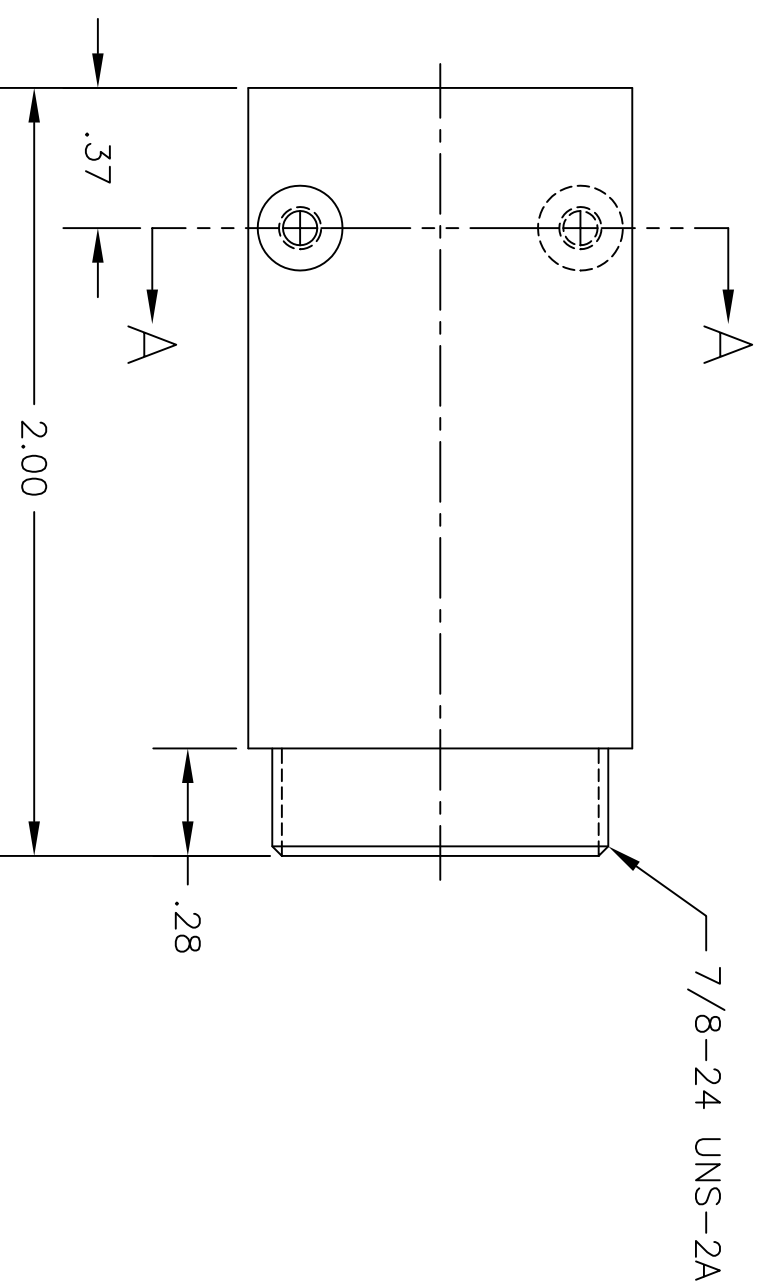


SECTION A-A



THESE DRAWINGS AND SPECIFICATIONS ARE THE EXCLUSIVE PROPERTY OF SIMCO CO., INCORPORATED ISSUED IN STRICT CONFIDENCE AND SHALL NOT, WITHOUT THE PRIOR WRITTEN PERMISSION OF SIMCO CO., INC., BE REPRODUCED, COPIED, OR USED FOR ANY PURPOSE WHATSOEVER EXCEPT THE MANUFACTURE OF ARTICLES FOR SIMCO CO., INC.

C.A.D. GENERATED
NO MANUAL CHANGES ARE
TO BE MADE TO THIS DOCUMENT

D	$\phi .650$ C BORE WAS $\phi .625$	1016 11-18-02	DIMENSIONS IN INCHES; DO NOT SCALE DRAWING TOLERANCES UNLESS SPECIFIED XXX=±0.005 .XX=±0.01 FRACTIONS=±1/64 ANGLE=±1/2°	THIRD ANGLE PROJECTION	TITLE DRAFTSMAN T. A. GOOD PROJ ENGR R. Rodrigo	BODY AN2 AN6, AIR SNAKE	FILE NAME SCALE 2/1	DATE 4-21-97 DATE 4-21-97	CHECKER MFR ENGR DATE	DRAWING NUMBER 4401812
C	ADDED .625 C BORE FOR AIR FILTER GASKET	821 3-28-02								
B	HOLE & TAP DEPTH TO 1.65 & .30	ECN916 6-12-97								
A	CHANGED OD & ID VAR DIMS TO 2 PL	ECN833 4-21-97								
REV	DESCRIPTION	EON DATE	FINISH MATERIAL DELRIN, WHITE	FINISH ALL OVER						

