

48

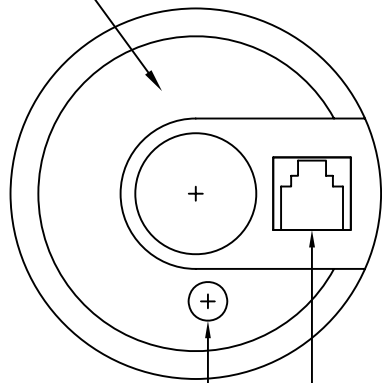
3

2

1

REVISIONS				
ZONE	REV.	DESCRIPTION	DATE	APPROVED
	1	ECO 3341, Initial Release	9.12.11	AK, CL

BACK PLATE



INDICATOR LED

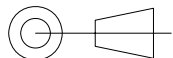
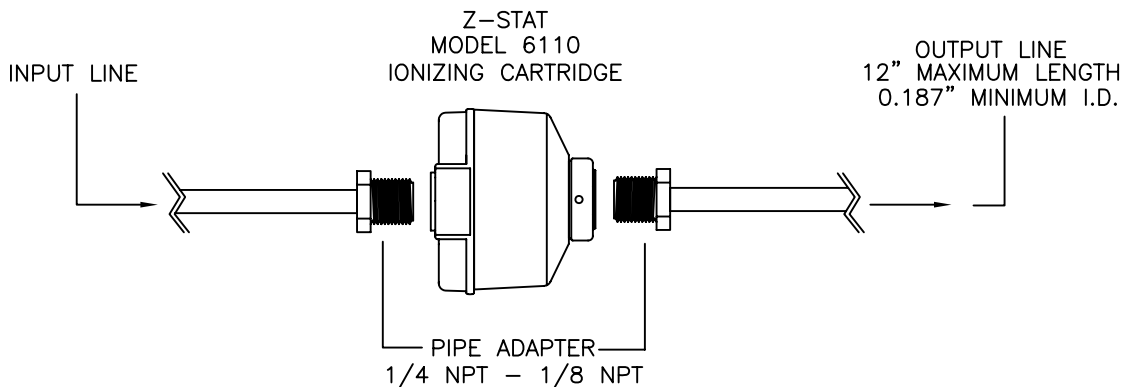
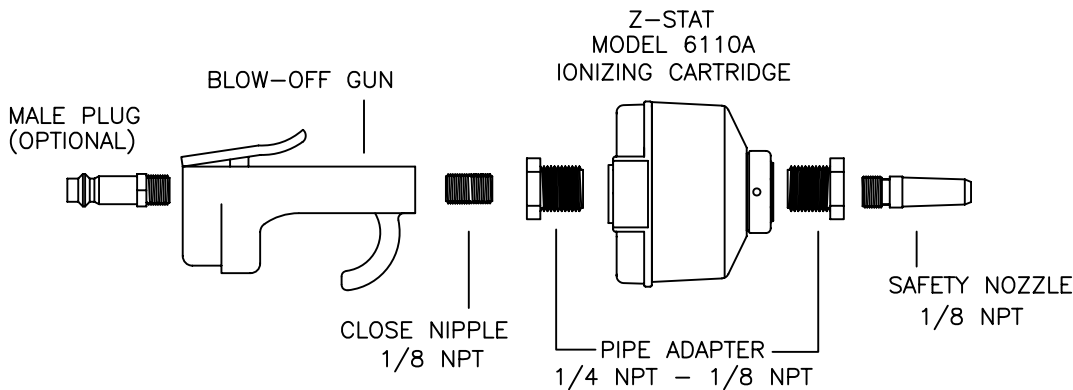
POWER CONNECTOR

INPUT PORT
1/4 NPT

OUTPUT PORT
1/4 NPT

2.125"

2.4"



THIRD ANGLE PROJECTION

INTERPRET PER ANSI Y14.5M.
Unless otherwise specified:
Dimensions are in inches [mm]
TOLERANCES ANGULAR
XX ± 0.05 ± 0.5°
X.XX ± 0.01 FRACTIONS
X.XXX ± 0.005 ± 1/32

CAD GENERATED DRAWING.
DO NOT MANUALLY UPDATE

APPROVALS	DATE
DRAWN KI	4.19.95
CHECKED	
ENGINEER	
APPR ENG	
MFG ENG	



An ITW Company

1750 North Loop Rd.
Alameda, CA 94502
Tel. (510)217-0600
Fax (510)217-0484

PROPRIETARY AND CONFIDENTIAL:
THE INFORMATION CONTAINED IN
THIS DRAWING IS THE SOLE
PROPERTY OF SIMCO-ION. ANY
REPRODUCTION IN PART OR AS A
WHOLE WITHOUT THE WRITTEN
PERMISSION OF SIMCO-ION IS
PROHIBITED.

NEXT ASSY	USED ON
APPLICATION	

DO NOT SCALE DRAWING

6110/A Cartridge
General Dimensions

SIZE B	DWG. NO. 6110DIM	REV. 1
SCALE 2:3	CAD FILE: 6110DIM_1	SHEET 1 OF 1

84

3

2

1