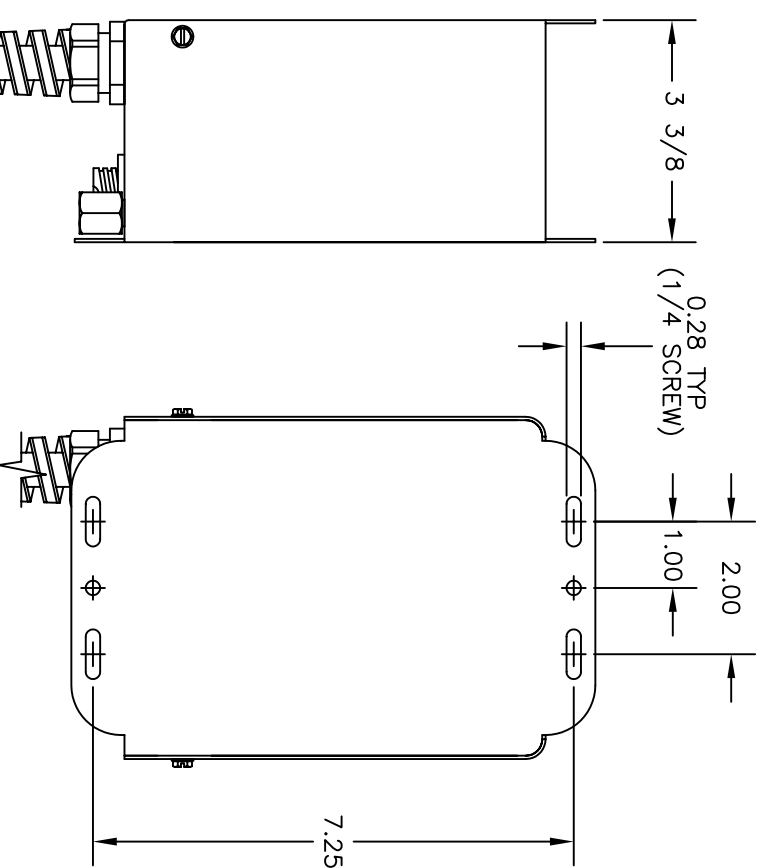
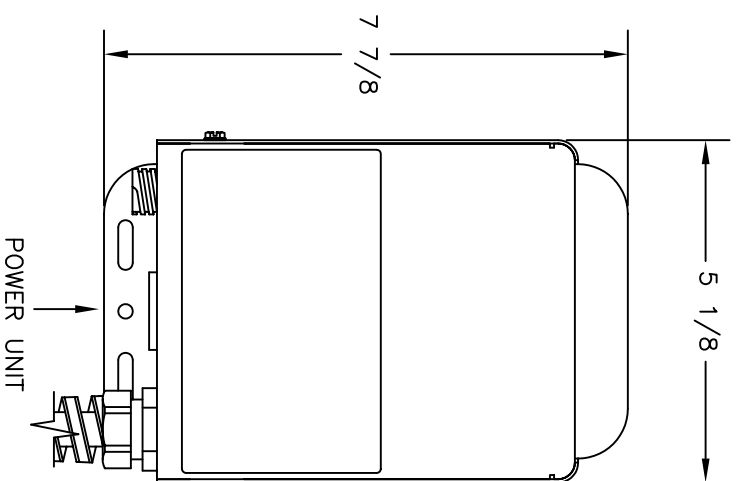


MODEL DESCRIPTION

- 4009045 – COMPLETE UNIT, 120VAC, 50/60 HZ WITH 7 FT NOZZLE CABLE AND N. AM. POWER CORD (UL/CUL LISTED)
- 4009046 – COMPLETE UNIT, 230VAC, 50/60 HZ WITH 7 FT NOZZLE CABLE AND CONT. EURO. POWER CORD (UL/CUL LISTED, CE COMPLIANT)
- 4009220 – COMPLETE UNIT, 230VAC, 50/60 HZ WITH 7 FT NOZZLE CABLE AND UK/IRELAND POWER CORD (CE COMPLIANT)

ACCESSORIES

- 4107399 – REMOTE CONTROL FOOT SWITCH ASSEMBLY



SPECIFICATIONS

MODEL: ORION POWER UNIT WITH BLOW OFF NOZZLE

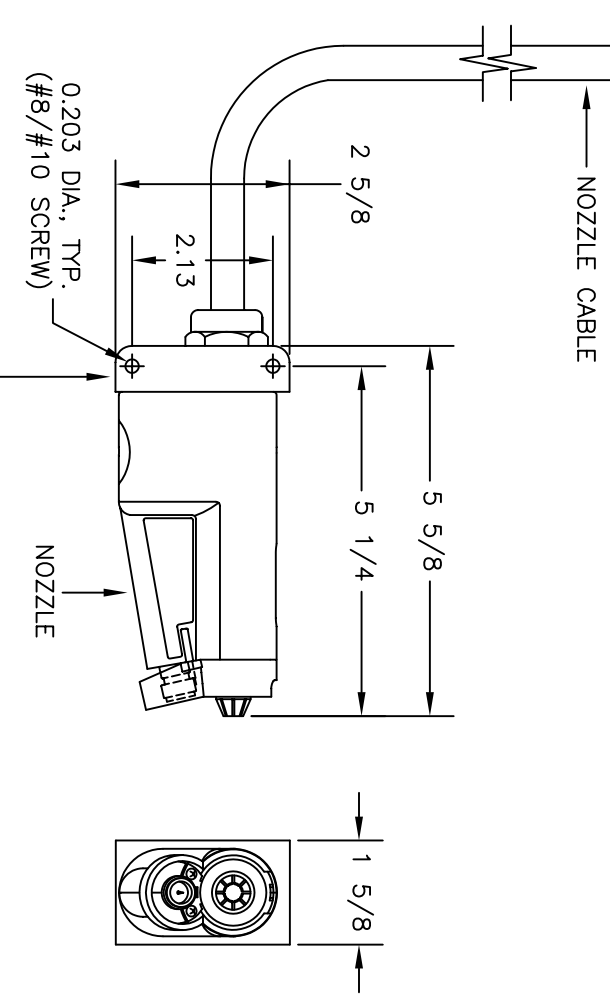
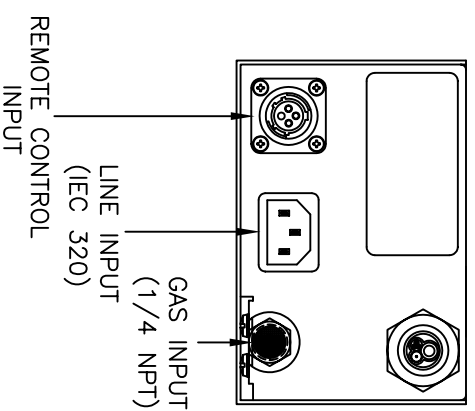
GAS FLOW: 2.4 SCFM AT 30 PSI (68 l/MIN AT 2 BAR)  
 4.6 SCFM AT 60 PSI (130 l/MIN AT 4 BAR)  
 7.4 SCFM AT 100 PSI (210 l/MIN AT 7 BAR)

DISCHARGE TIME: 1000V TO 100V, LESS THAN 2 SECONDS AT 6 IN.(ESD-STDM3.1-2000)  
 1000V TO 100V, LESS THAN 1 SECOND AT 2 IN.

OFFSET VOLTAGE: ±15V FROM SET POINT, SET POINT ADJUSTABLE TO 0V(ESD-STM3.1-2000)

MATERIAL: (POWER UNIT CABINET) STEEL WITH WHITE POLYESTER FINISH, COLOR- WHITE  
 (NOZZLE BODY) STATIC DISSIPATIVE POLYCARBONATE/ABS, COLOR- BLACK  
 (NOZZLE MOUNTING BRACKET) STAINLESS STEEL, COLOR- NATURAL METALLIC  
 (NOZZLE CABLE) STATIC DISSIPATIVE POLYURETHANE, COLOR- BLACK

UNIT WEIGHT: 7.00 LBS



THESE DRAWINGS AND SPECIFICATIONS ARE THE EXCLUSIVE PROPERTY OF SIMCO CO., INCORPORATED ISSUED IN STRICT CONFIDENCE AND SHALL NOT, WITHOUT THE PRIOR WRITTEN PERMISSION OF SIMCO CO., INC., BE REPRODUCED, COPIED, OR USED FOR ANY PURPOSE WHATSOEVER EXCEPT THE MANUFACTURE OF ARTICLES FOR SIMCO CO., INC.

CAD GENERATED  
 NO MANUAL CHANGES ARE  
 TO BE MADE TO THIS DOCUMENT

DIMENSIONS IN INCHES: DO NOT SCALE DRAWING TOLERANCES UNLESS SPECIFIED .XXX=±0.003 .XX=±0.01 FRACTIONS=±1/64 ANGLE=±1/2°		THIRD ANGLE PROJECTION		TITLE DIMENSIONAL DRAWING ORION BLOW OFF NOZZLE	
REV	DESCRIPTION	DATE	FINISH	DRAWN BY B. CARVER	CHECKER MFC
A	GAS INPUT WAS 1/8NPT	3-27-03	ALL OVER	PROJ ENGR J. GONZALEZ	DATE 8/12/02
DRAWING NUMBER 5001004		SCALE 1/2		SHEET 1 OF 1	

the SIMCO company, Inc.  
 2257 NORTH PENN ROAD  
 HATFIELD, PA. 19440-1998