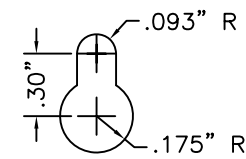
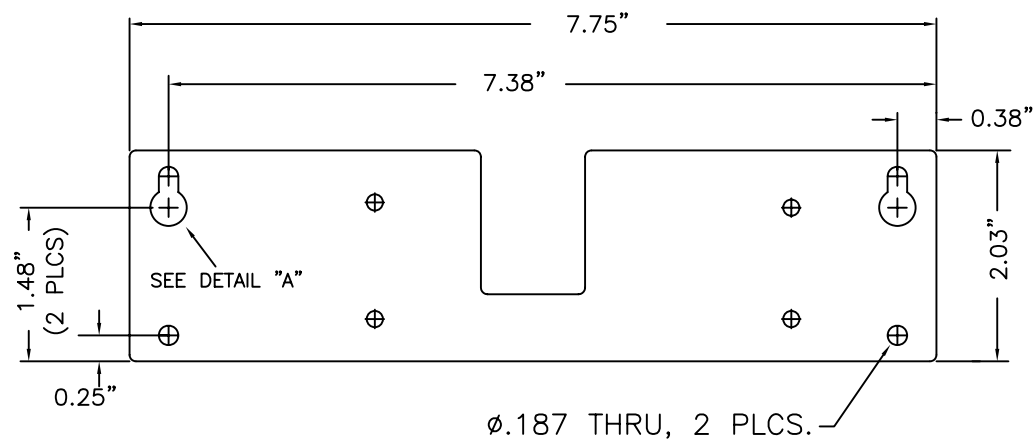
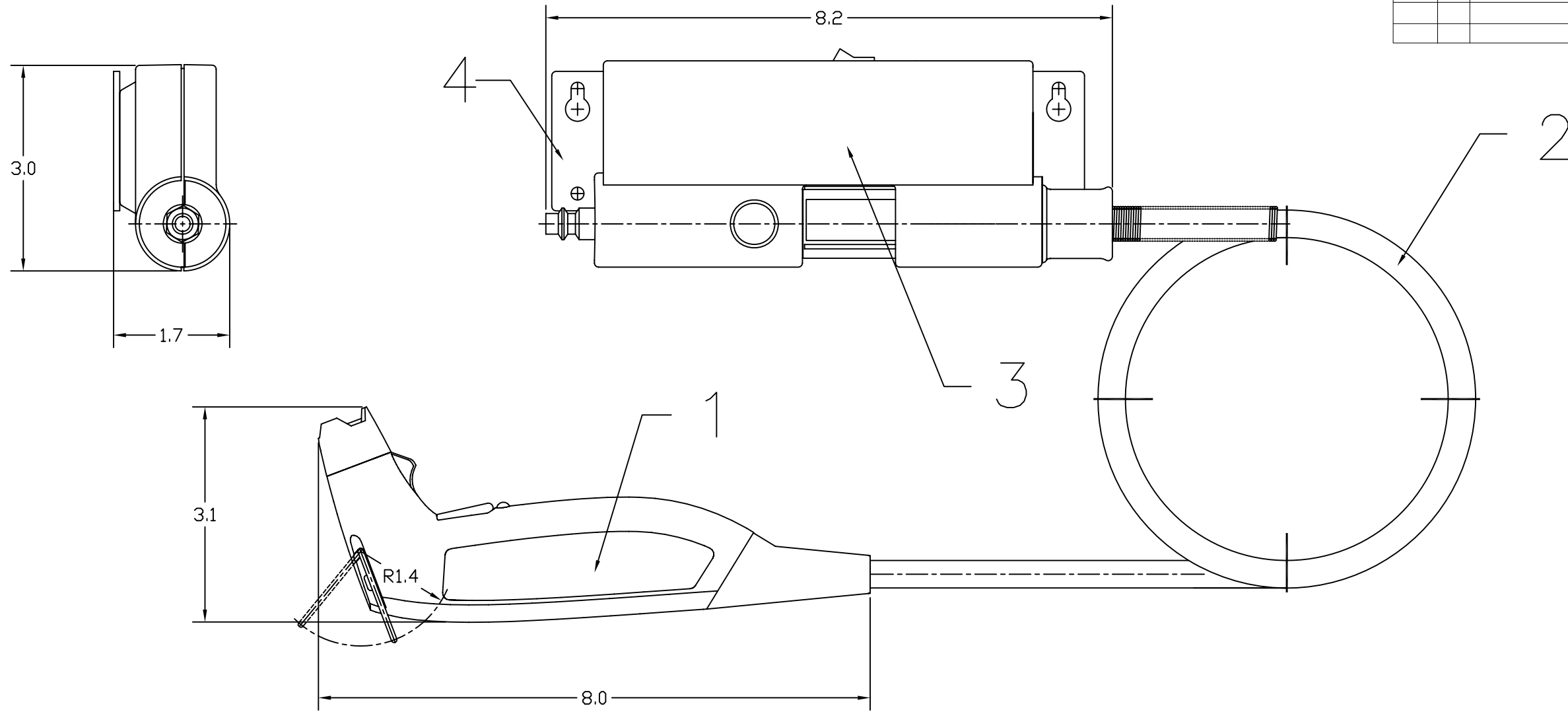


REVISIONS				
ZONE	REV.	DESCRIPTION	DATE	APPROVED
	1	ECO 3341, Initial Release	9.12.11	AK, CL



DETAIL "A"
KEYHOLE SLOT
FOR #8 SCREW
SCALE 2:1

- 1. AIRFORCE GUN
- 2. HOSE 8' LONG
- 3. CONSOLE
- 4. MOUNTING BRACKET

MOUNTING BRACKET

PROPRIETARY AND CONFIDENTIAL:
THE INFORMATION CONTAINED IN
THIS DRAWING IS THE SOLE
PROPERTY OF SIMCO-ION. ANY
REPRODUCTION IN PART OR AS A
WHOLE WITHOUT THE WRITTEN
PERMISSION OF SIMCO-ION IS
PROHIBITED.

<p>THIRD ANGLE PROJECTION</p>		<p>INTERPRET PER ANSI Y14.5M. Unless otherwise specified: Dimensions are in inches [mm]</p> <p>TOLERANCES ANGULAR</p> <p>X.X ± 0.05 ± 0.5°</p> <p>X.XX ± 0.01 ± 1/32</p> <p>X.XXX ± 0.005</p>	<p>CAD GENERATED DRAWING. DO NOT MANUALLY UPDATE</p>	<p>SIMCOION™ An ITW Company</p> <p>1750 North Loop Rd. Alameda, CA 94502 Tel. (510)217-0600 Fax (510)217-0484</p>
<p>APPROVALS</p> <p>DRAWN: VK</p> <p>CHECKED: GV</p> <p>ENGINEER</p>		<p>DATE</p> <p>05.17.98</p> <p>05.17.98</p>	<p>6115 AirForce Gun General Dimensions</p>	
<p>NEXT ASSY</p>	<p>USED ON</p>	<p>SURFACE FINISH:</p> <p>--</p>	<p>APPR ENG</p>	<p>SIZE</p> <p>B</p>
<p>APPLICATION</p>		<p>DO NOT SCALE DRAWING</p>	<p>MFG ENG</p>	<p>DWG. NO. 6115DIM</p> <p>SCALE 2:3 CAD FILE: 6115DIM_1</p>
				<p>REV. 1</p> <p>SHEET 1 OF 1</p>