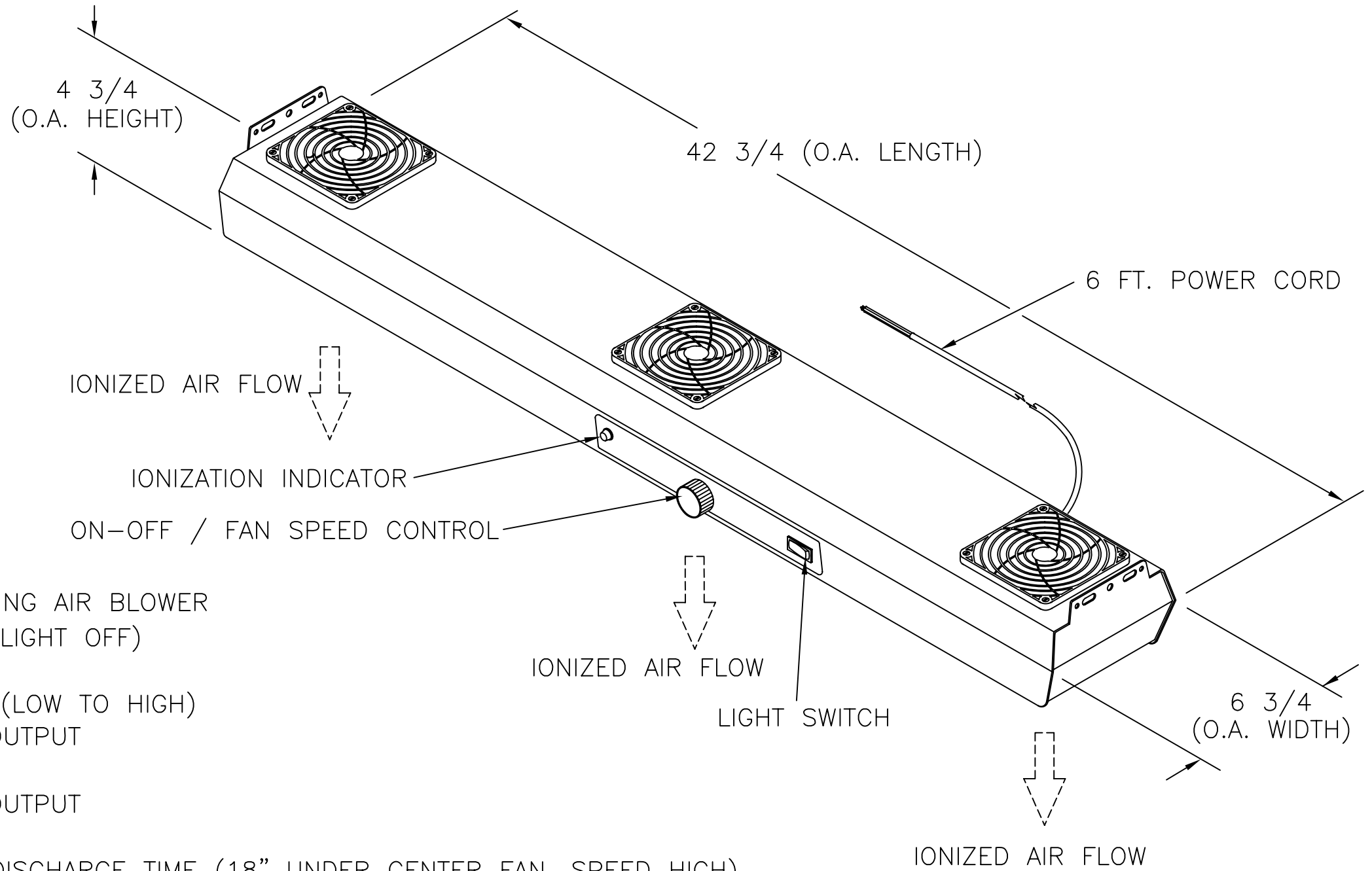


DRAWING NUMBER
5000545



PART NUMBERS:

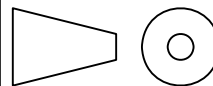
- COMPLETE UNIT-4004816 (230VAC, 50Hz)
- AIR FILTER RETAINER- 4710017
- AIR FILTER ELEMENT- 4100810 (PACK OF 6)
- FLUORESCENT LAMP- 4610811

SPECIFICATIONS:

- MODEL- AEROSTAT GUARDIAN OVERHEAD IONIZING AIR BLOWER
- POWER- 230VAC, 50Hz, 0.8 AMP (FAN HIGH, LIGHT OFF)
- WEIGHT- 16 LBS. (7.3 kg.)
- AIR VOLUME OUTPUT- 150 CFM TO 300 CFM (LOW TO HIGH)
COMBINED THREE FAN OUTPUT
- AIR FLOW COVERAGE- 2 FT. X 4 FT. AREA
COMBINED THREE FAN OUTPUT
- LIGHT OUTPUT- 1650 LUMENS TOTAL
- ION OUTPUT- 2.5 SECONDS 1000V TO 100V DISCHARGE TIME (18" UNDER CENTER FAN, SPEED HIGH)
- ION BALANCE- 0V ± 5 OFFSET VOLTAGE

C.A.D. GENERATED
NO MANUAL CHANGES ARE
TO BE MADE TO THIS DOCUMENT

THESE DRAWINGS AND SPECIFICATIONS ARE THE EXCLUSIVE PROPERTY OF SIMCO CO., INCORPORATED ISSUED IN STRICT CONFIDENCE AND SHALL NOT, WITHOUT THE PRIOR WRITTEN PERMISSION OF SIMCO CO., INC., BE REPRODUCED, COPIED, OR USED FOR ANY PURPOSE WHATSOEVER EXCEPT THE MANUFACTURE OF ARTICLES FOR SIMCO CO., INC.

			DIMENSIONS IN INCHES; DO NOT SCALE DRAWING TOLERANCES UNLESS SPECIFIED .XXX=±0.005 .XX=±0.01 FRACTIONS=±1/64 ANGLE=±1/2°		 THIRD ANGLE PROJECTION		TITLE DIMENSIONAL DWG 230V 50HZ GUARDIAN							
			MATERIAL N/A		N/A		DRAFTSMAN MJB		DATE 05-21-96		CHECKER RDS		DATE 05-22-96	
			FINISH N/A		N/A		PROJ ENGR TG		DATE 05-22-96		MFGR ENGR		DATE	
							FILE NAME 603-962		SCALE 1/6		DRAWING NUMBER 5000545			
REV	DESCRIPTION	ECN DATE							SHEET 1 OF 1					

 **the SIMCO company, inc.**
2257 NORTH PENN ROAD
HATFIELD, PA. 19440-1998