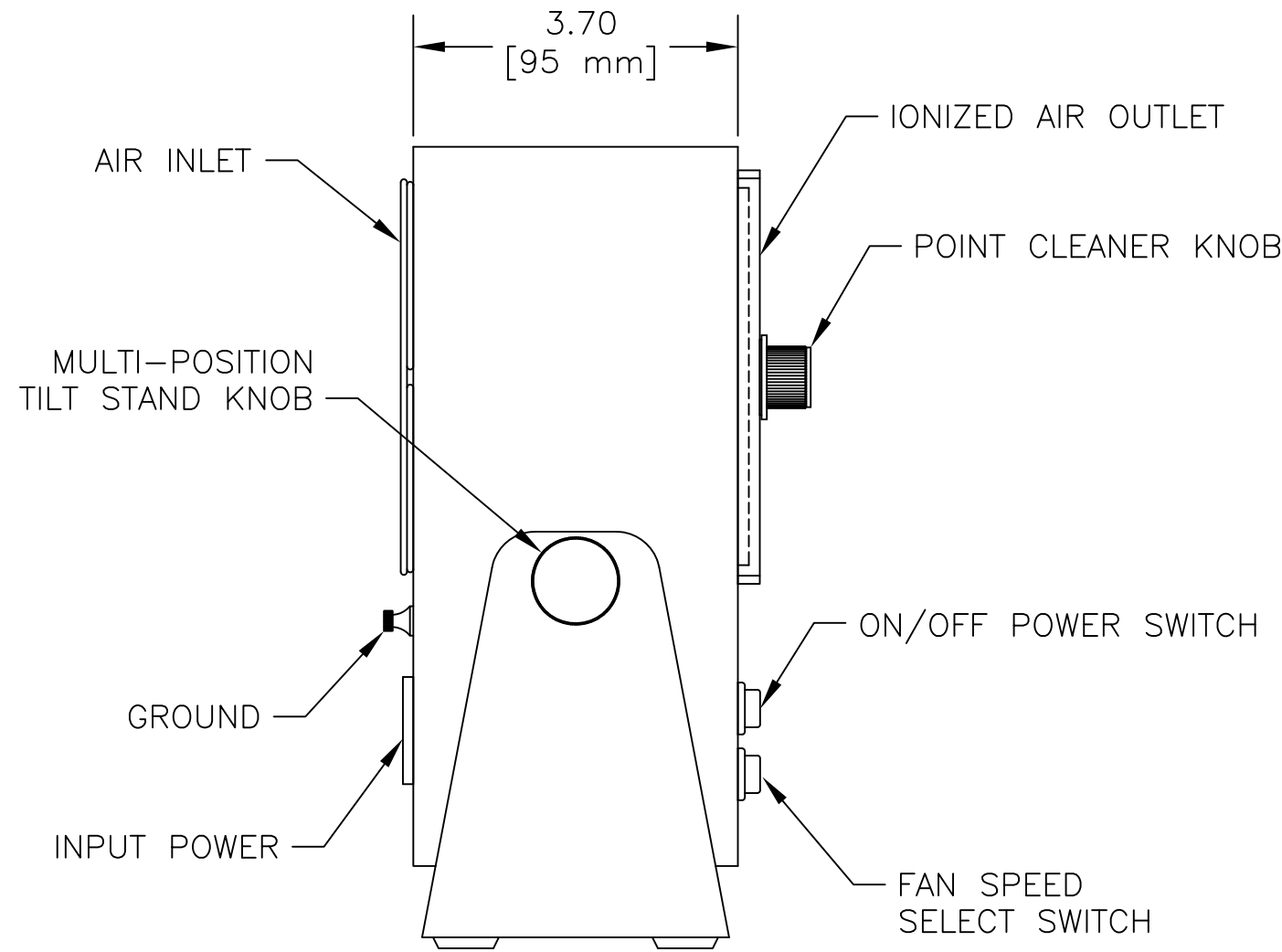
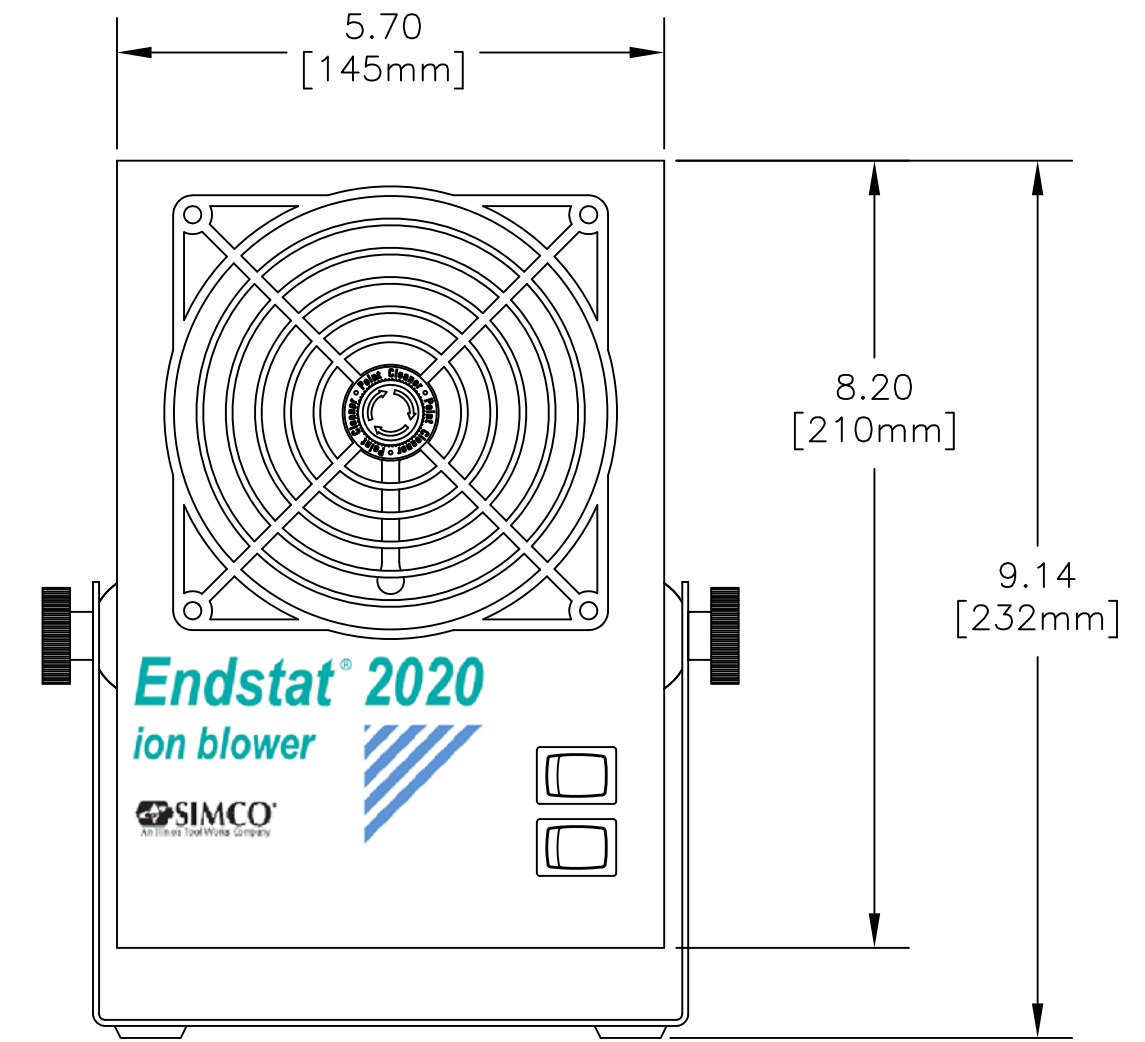


REAR VIEW

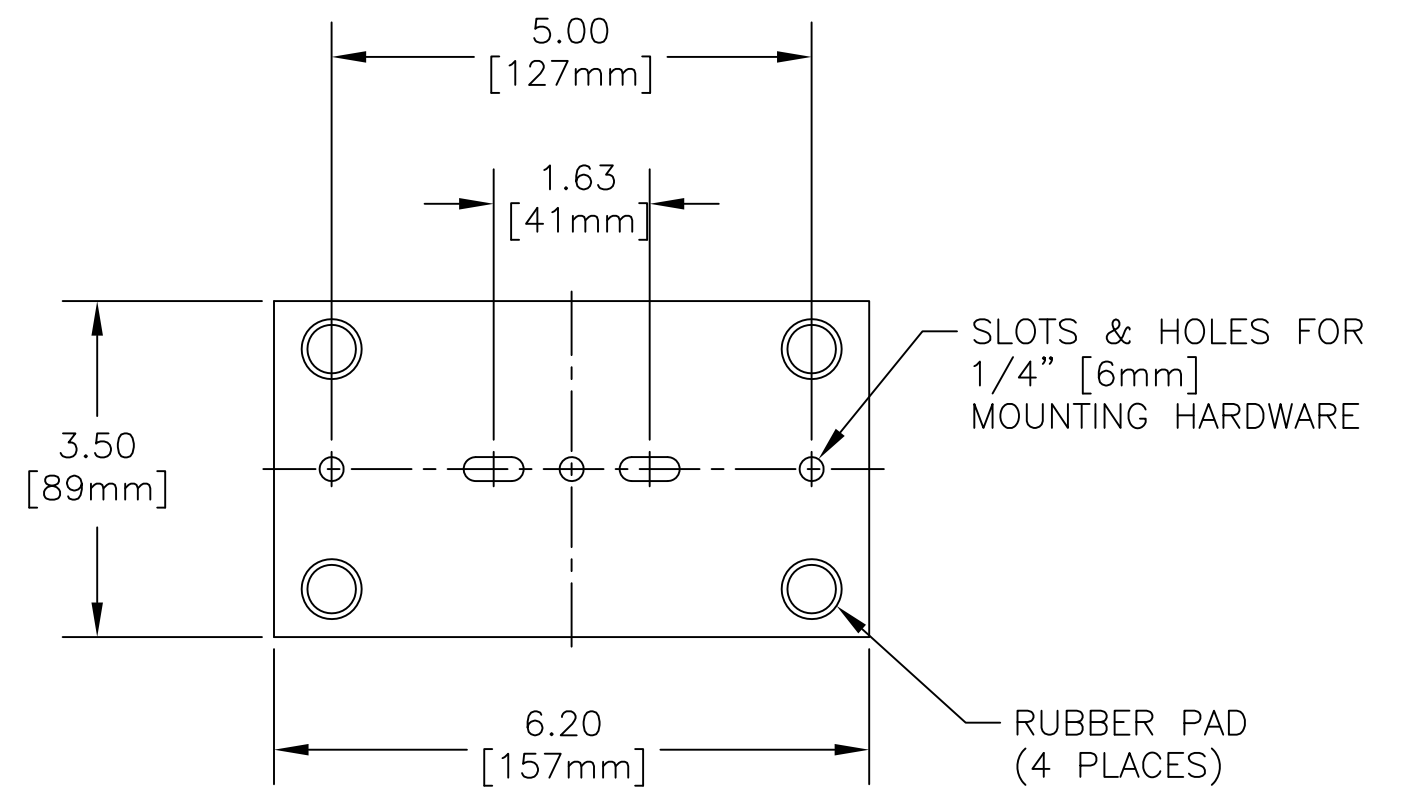


SIDE VIEW



FRONT VIEW

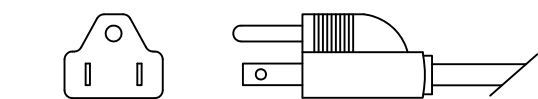
ENDSTAT 200 MODEL LEGEND			
PART NUMBER	DESCRIPTION	CORD LENGTH	PLUG TYPE
4012303	ENDSTAT 200 (100V 50/60Hz JAPAN)	2 M	JIS 8303
4012304	ENDSTAT 200 (120V 60Hz NORTH AMERICA)	6 FT	5-15P
4012305	ENDSTAT 200 (230V 50Hz CONTINENTAL EUROPE)	2 M	CEE7
4012306	ENDSTAT 200 (230V 50Hz UNITED KINGDOM)	2 M	BS1363



BOTTOM VIEW

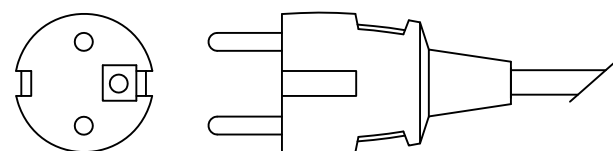
PLUG IDENTIFIER

JAPAN / NORTH AMERICAN TYPE



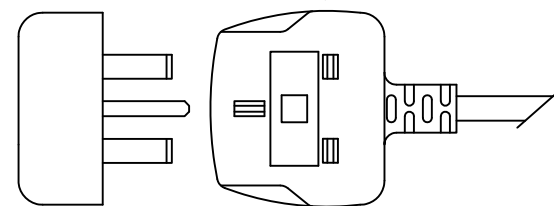
JIS 8303 / NEMA 5-15P

CONTINENTAL EURO TYPE



CEE 7

UNITED KINGDOM (BRITISH TYPE)



BS 1363 WITH FUSE

C.A.D. GENERATED
NO MANUAL CHANGES ARE
TO BE MADE TO THIS DOCUMENT

THESE DRAWINGS AND SPECIFICATIONS ARE THE EXCLUSIVE PROPERTY OF SIMCO, AN ITW COMPANY, ISSUED IN STRICT CONFIDENCE AND SHALL NOT, WITHOUT THE PRIOR WRITTEN PERMISSION OF SIMCO, AN ITW COMPANY, BE REPRODUCED, COPIED, OR USED FOR ANY PURPOSE WHATSOEVER EXCEPT THE MANUFACTURE OF ARTICLES FOR SIMCO, AN ITW COMPANY

			DIMENSIONS IN INCHES; DO NOT SCALE DRAWING TOLERANCES UNLESS SPECIFIED .XXX=±0.005 .XX=±0.01 FRACTIONS=±1/64 ANGLE=±1/2°		THIRD ANGLE PROJECTION		TITLE DIMENSIONAL DWG ENDSTAT 200	
MATERIAL N/A			FINISH N/A		DRAFTSMAN MFS		DATE 1/23/098	
B UPDATED FRONT LABEL IMAGE			4/1/09		PROJ ENGR J GORCZYCA		DATE 1/23/09	
A PRODUCTION RELEASE			SRM 01/23/09		CHECKER SRM		DATE 1/23/09	
REV DESCRIPTION			ECN DATE		FILE NAME		SCALE 1/2	
					DRAWING NUMBER		SHEET 1 OF 1	
					5001294			

SIMCO[®]
An Illinois Tool Works Company

2257 NORTH PENN ROAD
HATFIELD, PA, USA
19440-1998