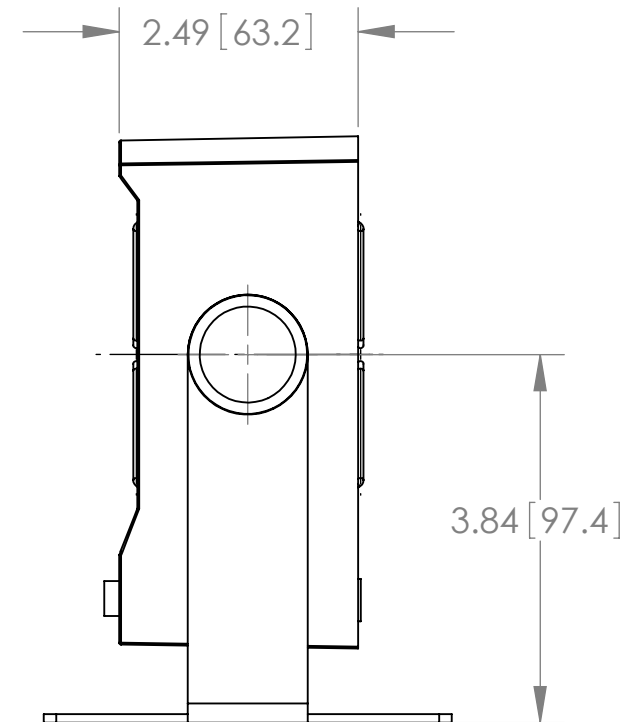
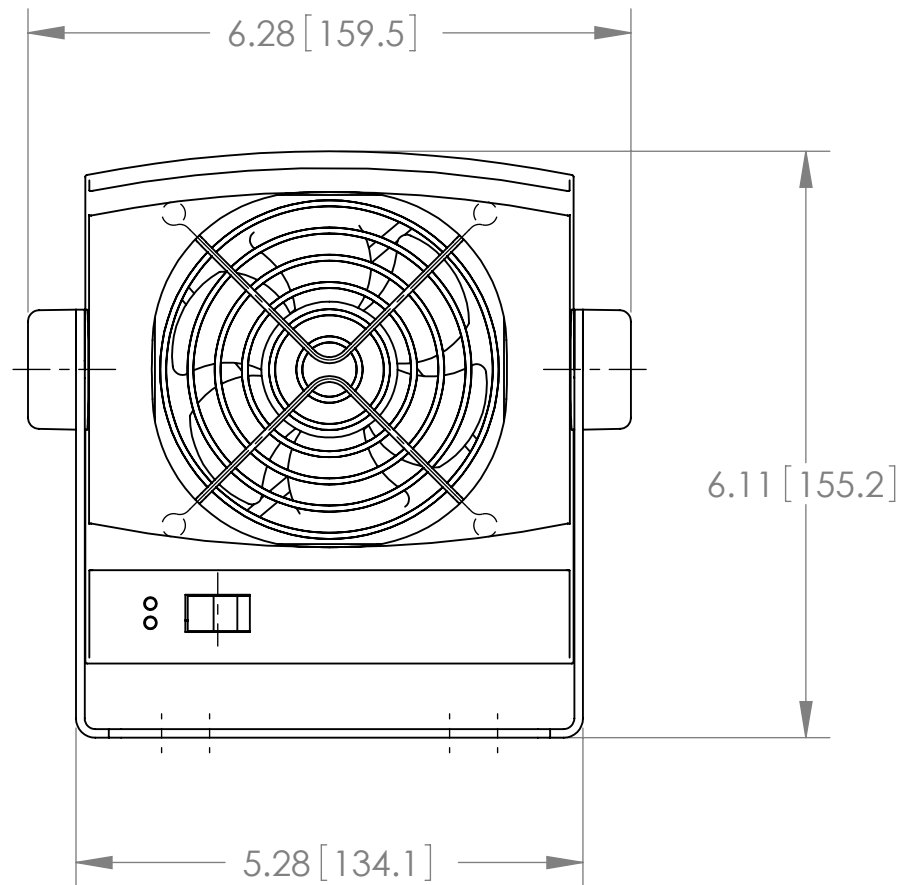
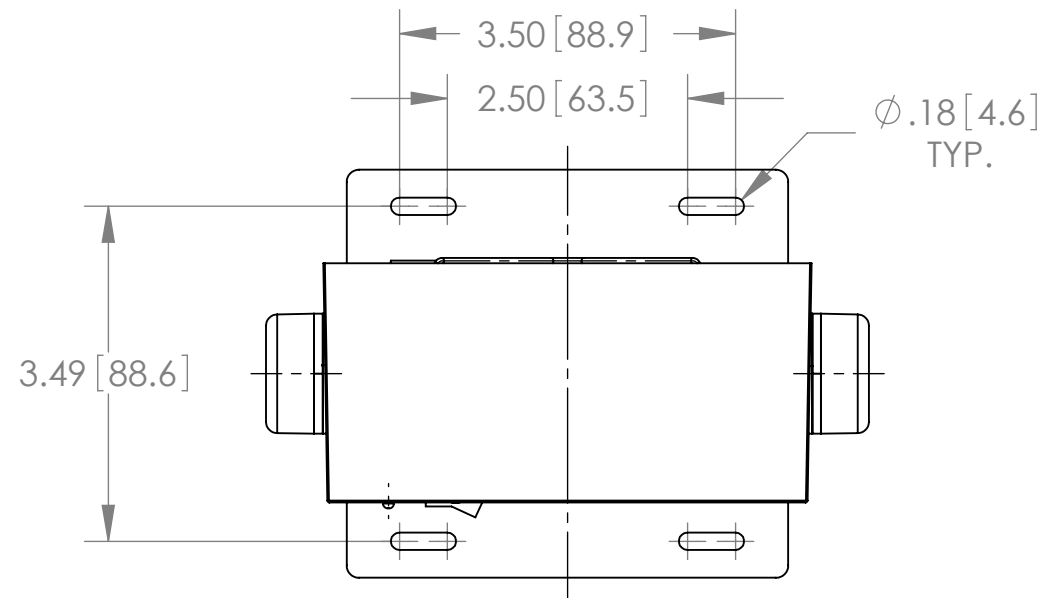


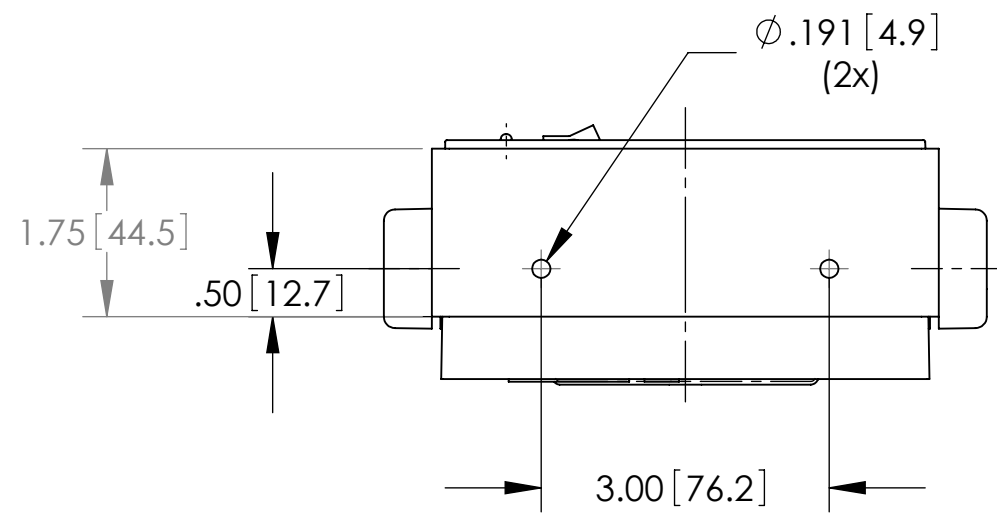
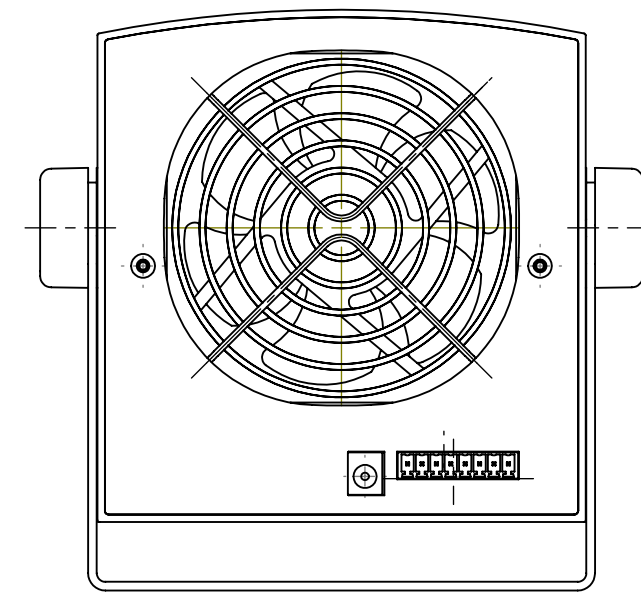
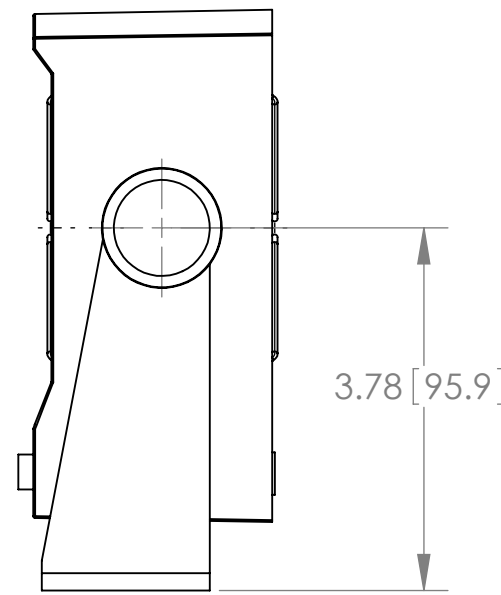
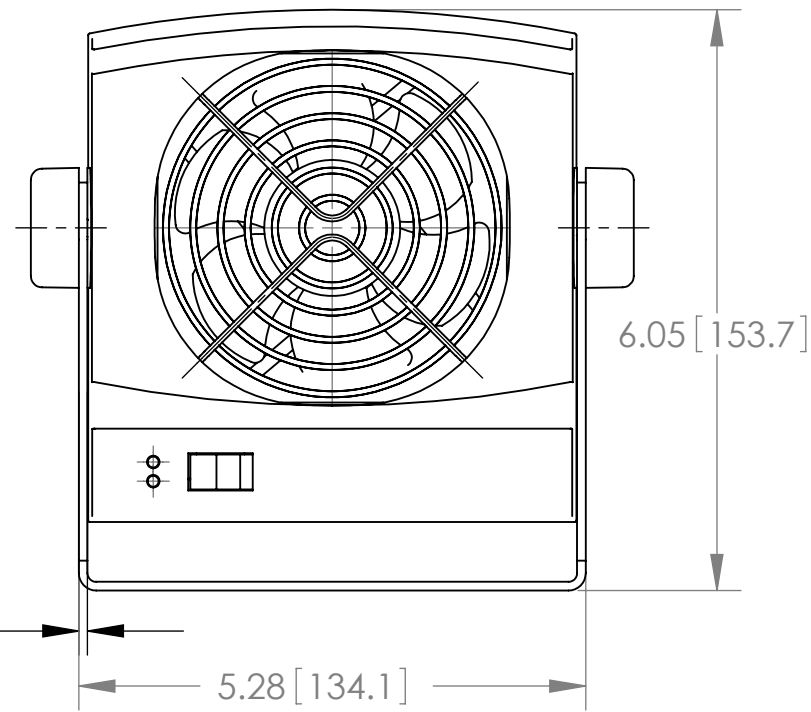
REVISIONS				
ZONE	REV.	DESCRIPTION	DATE	APPROVED
	1	ECO 2397, Initial Release	2.5.04	AK



PROPRIETARY AND CONFIDENTIAL:
THE INFORMATION CONTAINED IN
THIS DRAWING IS THE SOLE
PROPERTY OF SIMCO-ION. ANY
REPRODUCTION IN PART OR AS A
WHOLE WITHOUT THE WRITTEN
PERMISSION OF SIMCO-ION IS
PROHIBITED.

<p>THIRD ANGLE PROJECTION</p>	<p>INTERPRET PER ANSI Y14.5M. Unless otherwise specified: Dimensions are in inches [mm]</p> <p>TOLERANCES ANGULAR</p> <p>X.X ± 0.05 ± 0.5°</p> <p>X.XX ± 0.01 FRACTIONS</p> <p>X.XXX ± 0.005 ± 1/32</p>	<p>CAD GENERATED DRAWING, DO NOT MANUALLY UPDATE</p>		<p>1750 North Loop Rd. Alameda, CA 94502 Tel. (510)217-0600 Fax (510)217-0484</p>
		<p>APPROVALS</p> <p>DATE</p>	<p>DATE</p>	
<p>NEXT ASSY</p> <p>USED ON</p>	<p>MATERIAL</p> <p>--</p>	<p>APPROVALS</p> <p>DATE</p>	<p>DATE</p>	<p>DATE</p>
<p>APPLICATION</p> <p>DO NOT SCALE DRAWING</p>	<p>SURFACE FINISH:</p> <p>--</p>	<p>APPR ENG</p> <p>MFG ENG</p>	<p>DATE</p>	<p>DATE</p>
<p>SIZE</p> <p>B</p>			<p>DWG. NO.</p> <p>91-6432(e)</p>	<p>REV.</p> <p>1</p>
<p>SCALE 1:2</p>			<p>CAD FILE</p> <p>6432DIM_1</p>	<p>SHEET 1 OF 2</p>

REVISIONS				
ZONE	REV.	DESCRIPTION	DATE	APPROVED
	1	ECO 2397, Initial Release	2.5.04	AK



 THIRD ANGLE PROJECTION	INTERPRET PER ANSI Y14.5M. Unless otherwise specified: Dimensions are in inches [mm] TOLERANCES ANGULAR X.X ± 0.05 ± 0.5° X.XX ± 0.01 FRACTIONS X.XXX ± 0.005 ± 1/32	CAD GENERATED DRAWING, DO NOT MANUALLY UPDATE		 An ITW Company	1750 North Loop Rd. Alameda, CA 94502 Tel. (510)217-0600 Fax (510)217-0484	
		APPROVALS DATE DRAWN 1/16/2004 aklochko CHECKED 9/27/2011 clien ENGINEER	6432 Small Blower General Dimensions		SIZE DWG. NO. REV. B 91-6432(e) 1	
NEXT ASSY USED ON APPLICATION	MATERIAL -- SURFACE FINISH: -- DO NOT SCALE DRAWING	APPR ENG MFG ENG	SCALE 1:2 CAD FILE: 6432DIM_1 SHEET 2 OF 2			

PROPRIETARY AND CONFIDENTIAL:
 THE INFORMATION CONTAINED IN
 THIS DRAWING IS THE SOLE
 PROPERTY OF SIMCO-ION. ANY
 REPRODUCTION IN PART OR AS A
 WHOLE WITHOUT THE WRITTEN
 PERMISSION OF SIMCO-ION IS
 PROHIBITED.