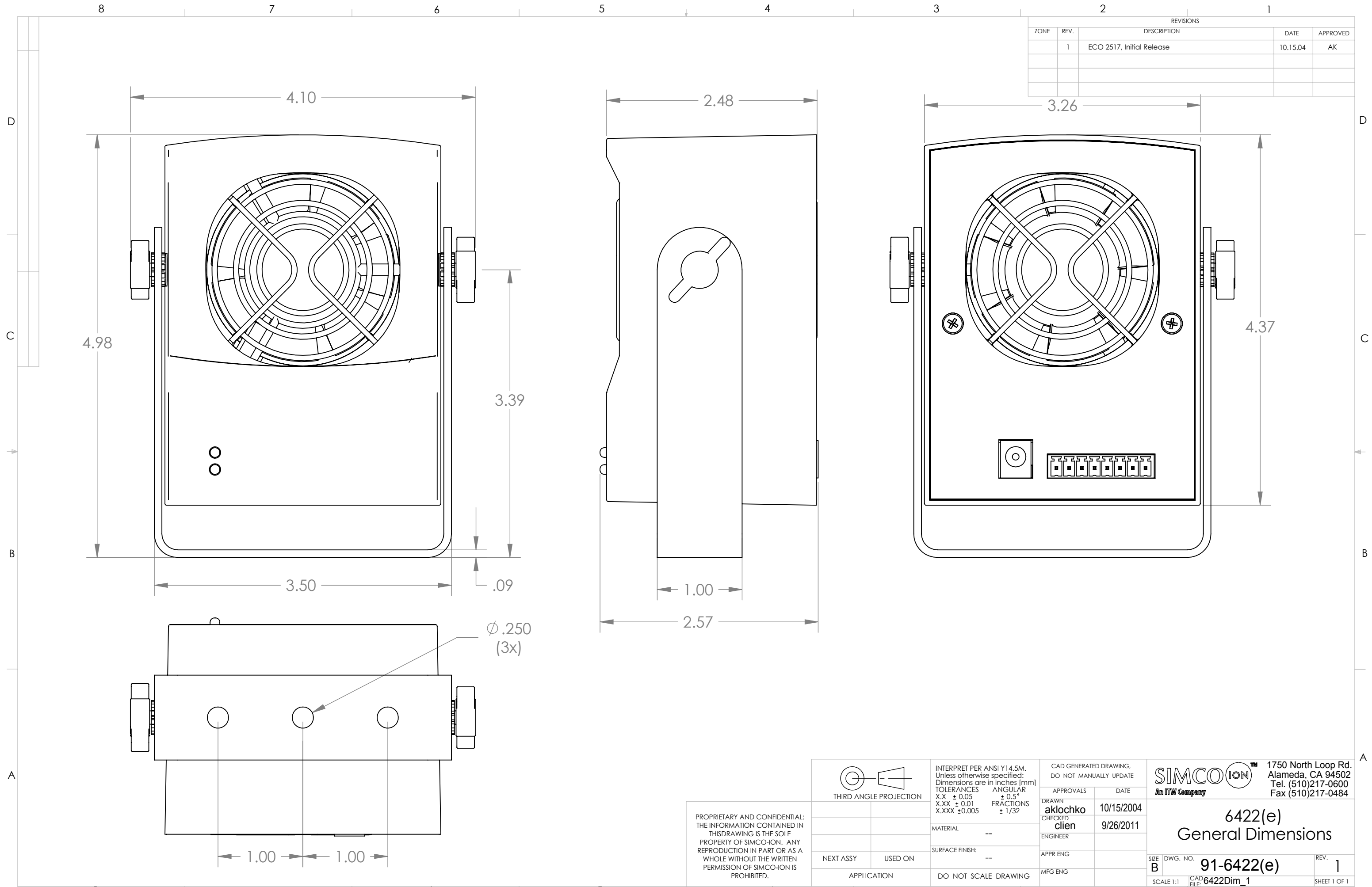


REVISIONS				
ZONE	REV.	DESCRIPTION	DATE	APPROVED
	1	ECO 2517, Initial Release	10.15.04	AK



PROPRIETARY AND CONFIDENTIAL:
THE INFORMATION CONTAINED IN
THIS DRAWING IS THE SOLE
PROPERTY OF SIMCO-ION. ANY
REPRODUCTION IN PART OR AS A
WHOLE WITHOUT THE WRITTEN
PERMISSION OF SIMCO-ION IS
PROHIBITED.

 THIRD ANGLE PROJECTION	
NEXT ASSY	USED ON
APPLICATION	

INTERPRET PER ANSI Y14.5M.
Unless otherwise specified:
Dimensions are in inches [mm]
TOLERANCES ANGULAR
X.X ± 0.05 ± 0.5°
X.XX ± 0.01 FRACTIONS ± 1/32
X.XXX ± 0.005

MATERIAL: --
SURFACE FINISH: --

DO NOT SCALE DRAWING

CAD GENERATED DRAWING, DO NOT MANUALLY UPDATE	
APPROVALS	DATE
DRAWN aklochko	10/15/2004
CHECKED clien	9/26/2011
ENGINEER	
APPR ENG	
MFG ENG	

SIMCO ION An ITW Company

1750 North Loop Rd.
Alameda, CA 94502
Tel. (510)217-0600
Fax (510)217-0484

6422(e)
General Dimensions

SIZE B	DWG. NO. 91-6422(e)	REV. 1
SCALE 1:1	CAD FILE 6422Dim_1	SHEET 1 OF 1