

SPECIFICATIONS:

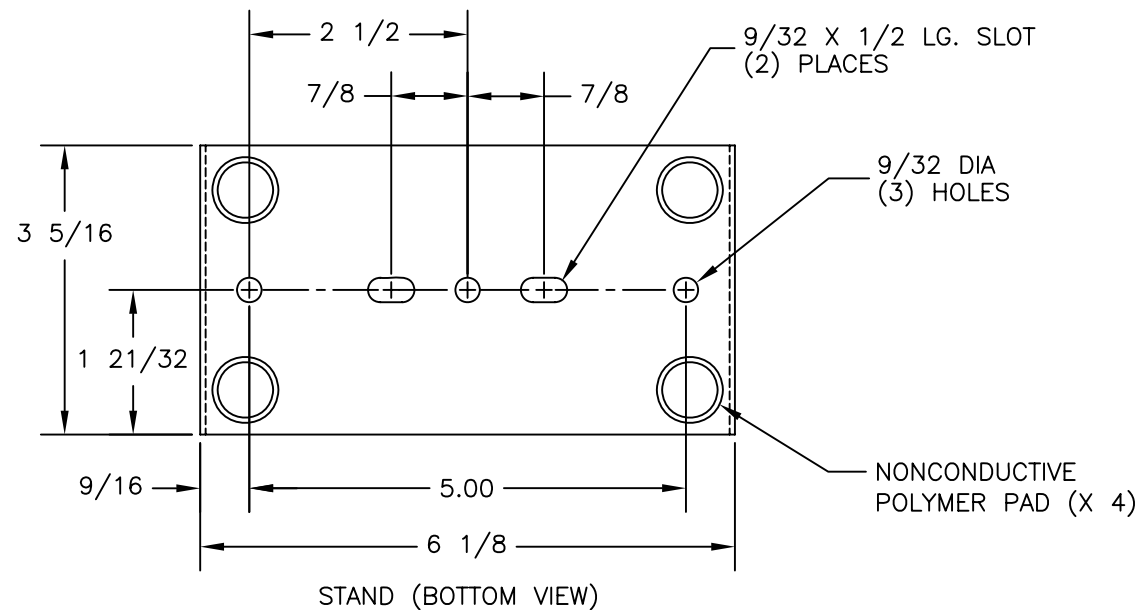
- DESCRIPTION- AEROSTAT PC IONIZING AIR BLOWER
- POWER REQUIREMENT- 100 OR 120VAC, 50/60Hz, 0.1AMP (NO HEATER OR HEATER OFF)
1.7AMP (HEATER ON)
230VAC, 50/60Hz, 0.1AMP (NO HEATER OR HEATER OFF)
0.9AMP (HEATER ON)
- COLORATION- WHITE (COVER/CHASSIS), BLACK (STAND)
- WEIGHT- 5.3 TO 5.7 LBS
- EFFECTIVE COVERAGE AREA- 1' x 5' (SURFACE AREA)
- AIR VOLUME- 35 CFM (MINIMUM FAN SPEED)
70 CFM (MAXIMUM FAN SPEED)
- HEATED AIR TEMPERATURE- 25°F ABOVE AMBIENT (MINIMUM FAN SPEED)
11°F ABOVE AMBIENT (MAXIMUM FAN SPEED)

MODEL DESCRIPTIONS:

- 4003367- 120VAC, 60Hz, WITH HEATER, N. AM POWER CORD, UL LISTED
- 4003368- 230VAC, 50Hz, WITH HEATER, CONT. EURO POWER CORD, CE COMPLIANT
- 4008465- 100VAC, 50/60Hz, AIR FILTER, NO HEATER, JAPAN POWER CORD
- 4004442- 230VAC, 50Hz, NO HEATER, WITHOUT POWER PLUG
- 4008087- 230VAC, 50Hz, WITH HEATER, UK/IRELAND POWER CORD, CE COMPLIANT
- 4010592- 230VAC, 50Hz, NO HEATER, CONT. EURO POWER CORD, CE COMPLIANT
- 4011211- 100VAC, 50/60Hz, AIR FILTER, NO HEATER, JAPAN POWER CORD (AS ONE-PCA)

ACCESSORIES:

- 4710017- RETAINER, AIR FILTER (1)
- 4100810- AIR FILTER PACK, 30 PPI (6 ELEMENTS)
- 5051332- AIR FILTER AND RETAINER KIT (1 EACH)



THESE DRAWINGS AND SPECIFICATIONS ARE THE EXCLUSIVE PROPERTY OF SIMCO CO., INCORPORATED ISSUED IN STRICT CONFIDENCE AND SHALL NOT, WITHOUT THE PRIOR WRITTEN PERMISSION OF SIMCO CO., INC., BE REPRODUCED, COPIED, OR USED FOR ANY PURPOSE WHATSOEVER EXCEPT THE MANUFACTURE OF ARTICLES FOR SIMCO CO., INC.				C.A.D. GENERATED NO MANUAL CHANGES ARE TO BE MADE TO THIS DOCUMENT			
DIMENSIONS IN INCHES; DO NOT SCALE DRAWING TOLERANCES UNLESS SPECIFIED .XXX=±0.005 .XX=±0.01 FRACTIONS=±1/64 ANGLE=±1/2°				THIRD ANGLE PROJECTION		TITLE DIMENSIONAL DRAWING AEROSTAT PC	
C	ADDED MODEL 4011211	1689 1/18/06	MATERIAL SEE NOTES	FINISH ALL OVER	DRAFTSMAN B CARVER	DATE 9-20-94	CHECKER DATE
B	REVISED DESCRIPTIONS ADDED REAR FEATURES	1565 6/7/05	FINISH SEE NOTES	FILE NAME	PROJ ENGR R RODRIGO	DATE 10-3-94	MFGR ENGR DATE
A	ADDED STAND DETAIL	1529 3/7/05	ECN DATE	PLT SCALE 1/1	DRAWING NUMBER 5000431		
REV	DESCRIPTION			the SIMCO company, inc. 2257 NORTH PENN ROAD HATFIELD, PA. 19440-1998			