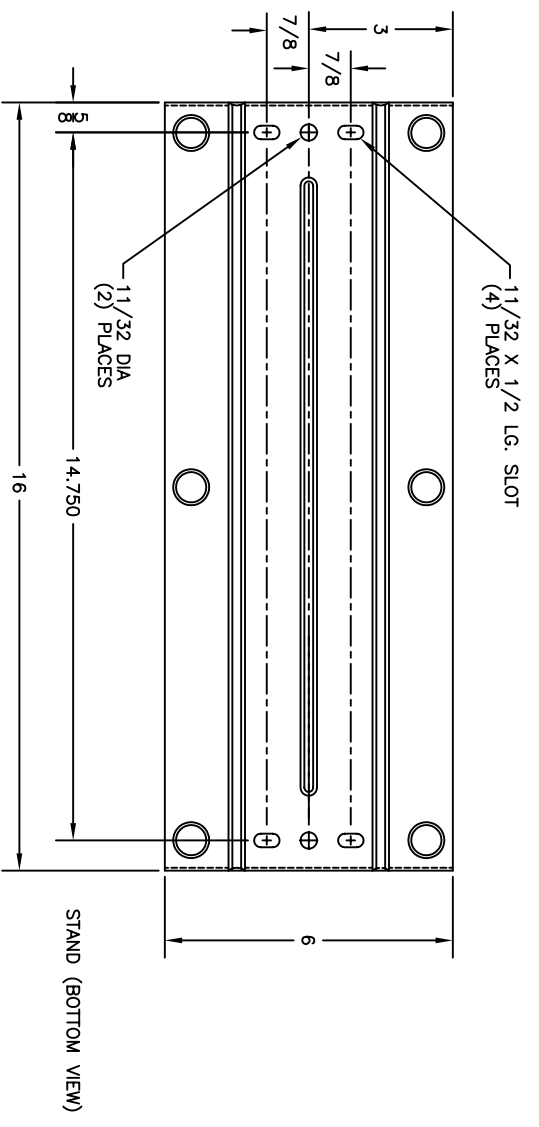
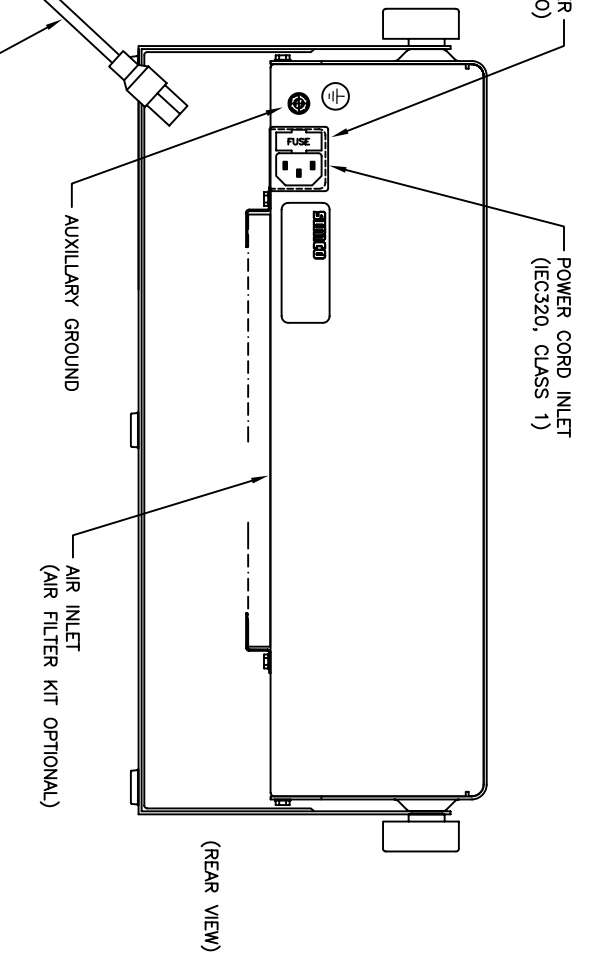
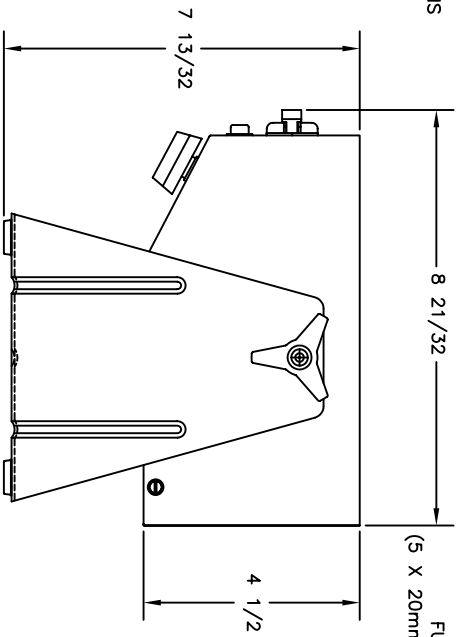
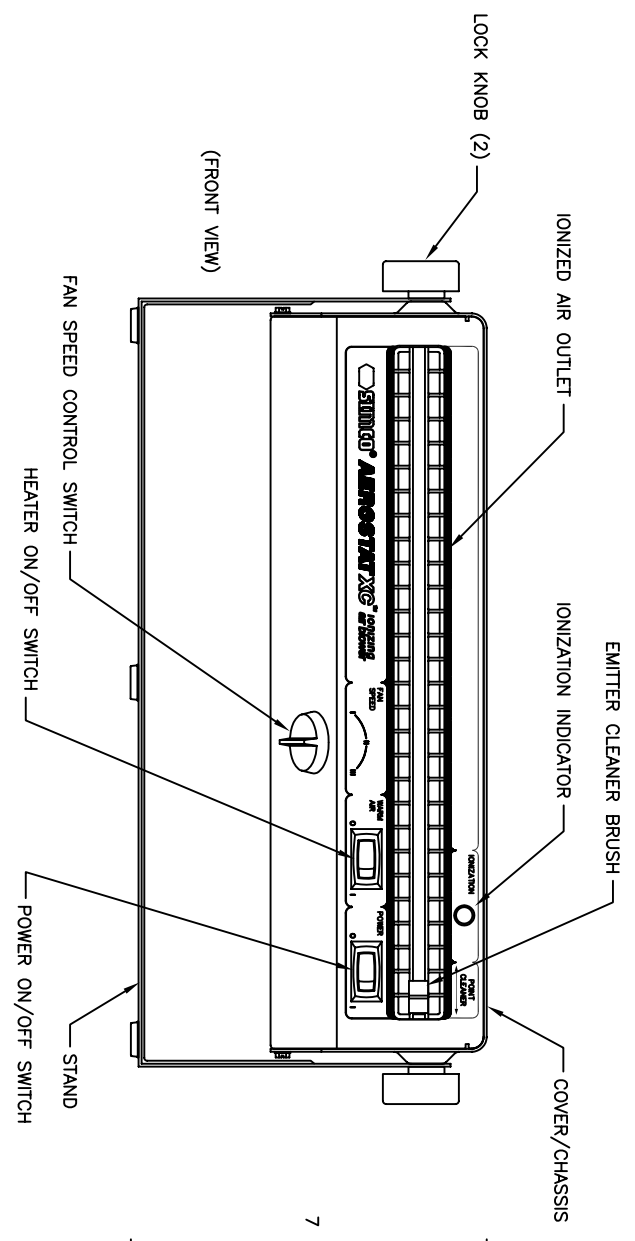


- SPECIFICATIONS:**
- DESCRIPTION— AEROSTAT XC IONIZING AIR BLOWER
 - POWER REQUIREMENTS— 100 OR 120VAC, 50/60HZ, 1.0AMP (HEATER ON)
230 VAC, 50/60 HZ, 0.5AMP (NO HEATER OR HEATER OFF)
1.8AMP (HEATER ON)
 - COLORATION— WHITE (COVER/CHASSIS/STAND)
 - WEIGHT— 17.5 LBS.
 - EFFECTIVE COVERAGE AREA— 3' X 6' (SURFACE AREA)
 - AIR VOLUME— 70 CFM (LOW FAN SPEED)
95 CFM (MEDIUM FAN SPEED)
120 CFM (HIGH FAN SPEED)
 - HEATED AIR TEMPERATURE— 111°F ABOVE AMBIENT (LOW FAN SPEED)
91°F ABOVE AMBIENT (MEDIUM FAN SPEED)
71°F ABOVE AMBIENT (HIGH SPEED FAN)



MODEL DESCRIPTIONS:

- 4002612— 120VAC, 60HZ, WITH HEATER, N. AM. POWER CORD, UL LISTED
- 4002667— 230VAC, 50HZ, WITH HEATER, CONT. EURO POWER CORD, CE COMPLIANT
- 4002747— 100VAC, 50/60HZ, AIR FILTER, NO HEATER, JAPAN POWER CORD, UL LISTED
- 4007150— 120VAC, 60HZ, NO HEATER, N. AM. POWER CORD, UL LISTED
- 4007151— 230VAC, 50HZ, NO HEATER, CONT. EURO POWER CORD, CE COMPLIANT
- 4009044— 230VAC, 50HZ, WITH HEATER, UK/IRELAND POWER CORD, CE COMPLIANT

ACCESSORIES:

- 5051321— AIR FILTER KIT
- 4470059— REPLACEMENT AIR FILTER
- 5050282— PEDESTAL MOUNTING KIT

THESE DRAWINGS AND SPECIFICATIONS ARE THE EXCLUSIVE PROPERTY OF SIMCO CO., INCORPORATED, ISSUED IN STRICT CONFIDENCE AND SHALL NOT BE REPRODUCED, COPIED, OR USED FOR ANY PURPOSE WHATSOEVER EXCEPT THE MANUFACTURE OF ARTICLES FOR SIMCO CO., INC. WITHOUT PERMISSION OF SIMCO CO., INC. BE REPRODUCED, COPIED, OR USED FOR ANY PURPOSE WHATSOEVER EXCEPT THE MANUFACTURE OF ARTICLES FOR SIMCO CO., INC.	
DIMENSIONS IN INCHES, DO NOT SCALE DRAWINGS TOLERANCES UNLESS SPECIFIED FRACTIONS—1/8" ANGLE—1/2"	DIMENSIONS IN MILLIMETERS TOLERANCES UNLESS SPECIFIED FRACTIONS—1/8" ANGLE—1/2"
D REVISIONS C 230VAC UNIT SPEC 6/29/05 B 120VAC UNIT SPEC 6/29/05 A ADDED IONIZATION INDICATOR 5/29/04	D 120VAC UNIT SPEC 6/29/05 C 230VAC UNIT SPEC 6/29/05 B 120VAC UNIT SPEC 6/29/05 A ADDED IONIZATION INDICATOR 5/29/04
DIMENSIONAL DRAWING AEROSTAT XC	DIMENSIONAL DRAWING AEROSTAT XC
DRAWN BY: J. GONCALVES CHECKED BY: J. GONCALVES DATE: 6/29/05	DRAWN BY: J. GONCALVES CHECKED BY: J. GONCALVES DATE: 6/29/05
FILE NAME: 50000262.DWG	FILE NAME: 50000262.DWG
SCALE: 1/2" = 1"	SCALE: 1/2" = 1"
SHEET 1 OF 1	SHEET 1 OF 1
DRAWING NUMBER: 50000262	DRAWING NUMBER: 50000262