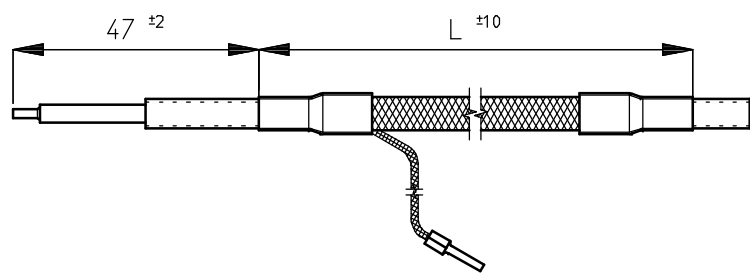
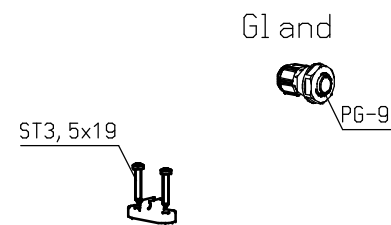


Cable exit options

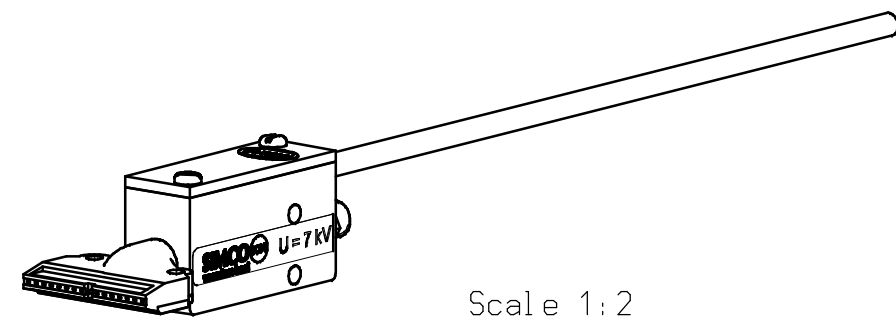
(With shielded HV-cable)



Mounting materials included



Amount of cable clamps =  
 (cable length(m)x4)-1  
 (only with standard HV-cable)



Scale 1:2

 An ITW Company www.simco-ion.nl Tel: +31 (0)573 288333	Name: <b>Ionising air nozzle type FLAT 2</b>				Drawn: AB	Part no.: <b>161501xxxx</b>
	CAD generated NOT updated	Dimensions in mm	Date: 29-07-2009	A3 M: 1:1	ECN2011-070	Check: -