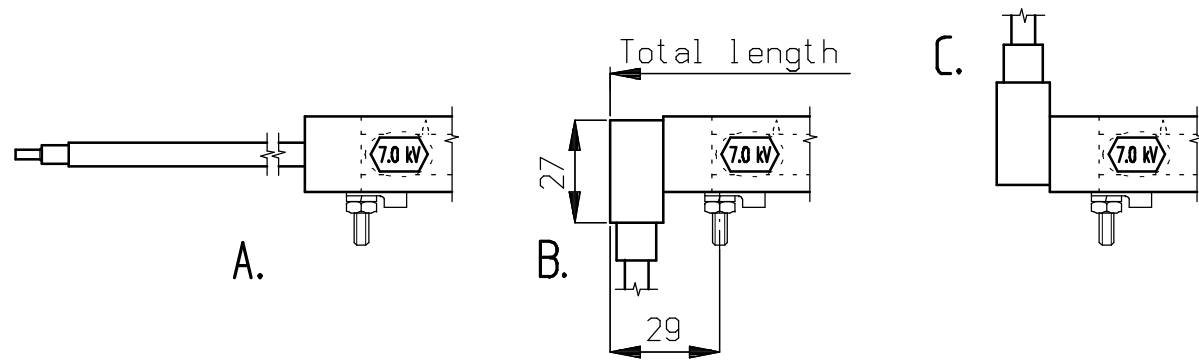
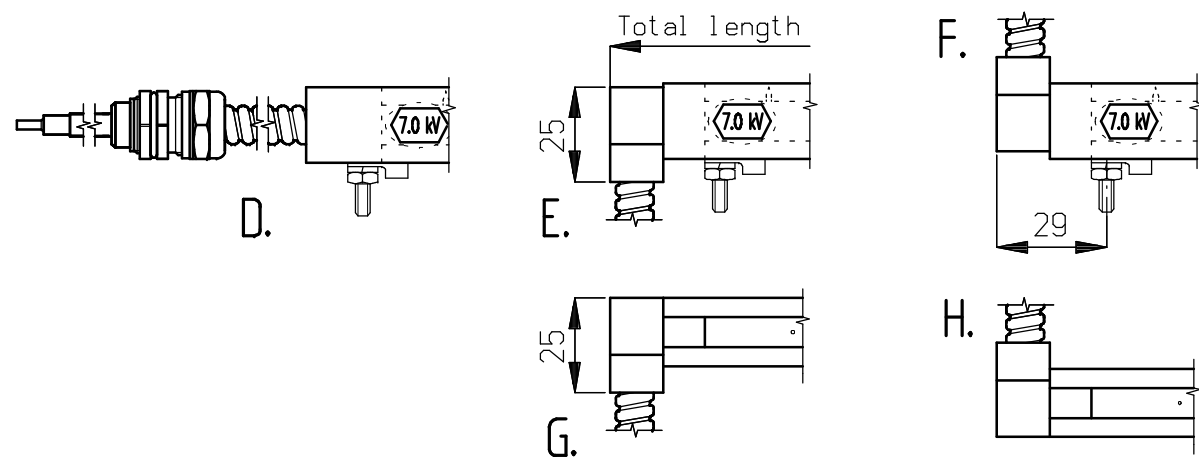


**Cable exit options:**

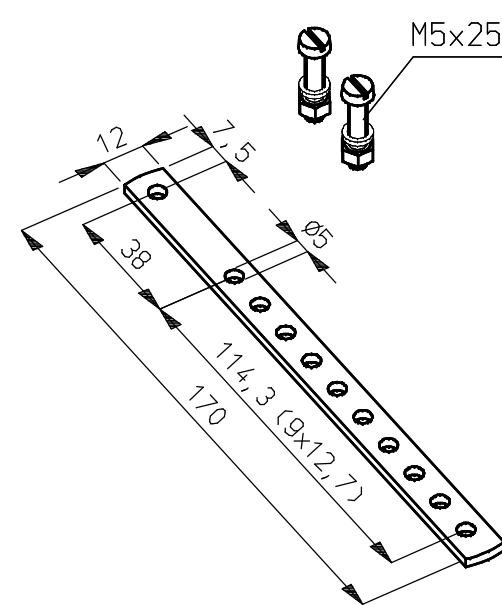
(With standard HV-cable)



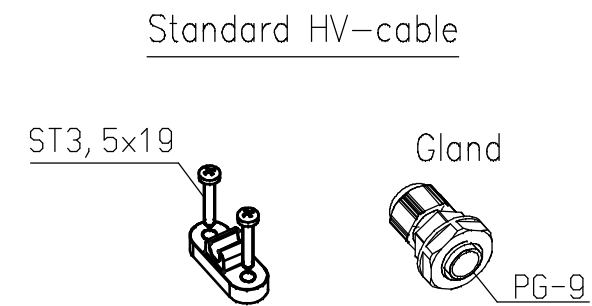
(With shielded HV-cable)



**Mounting materials included**



Mounting bracket  
Each mounting stud 1 bracket  
(include screws)



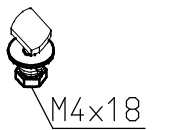
Amount of cable clamps =  
(cable length(m)x4)-1

Shielded HV-cable



Amount of cable clamps =  
(cable length(m)x2)-1

Bar length > 2m



Extra loose  
mounting stud

 An ITW Company	Name: Anti Static Bar type MEB					Drawn: MVN	Part no.: —
	CAD generated NOT updated	Dimensions in mm	Date: 20-04-2011	A3	M: 1:1	ECN2011-070	Check: -