



Sensor IQ Easy

A sensor that measures the electrostatic charge of a web can be added to the IQ Easy platform.

The Sensor IQ Easy is a bar type device that can hold up to 16 sensor heads.

Each sensor head can be placed on a strategical position across the web to monitor the electrostatic charge.

All data of each sensor head is communicated to the Manager IQ Easy and stored for process monitoring.

For dirty environments or for precautionary protection of the sensor heads, the Sensor IQ Easy bar is equipped with a compressed air connection.

Using only a very low pressure and air volume dirt entering the orifice of the sensors is prevented.

IQ anti-static bars or IQ charging generators in the system can act on data received from a sensor.

This makes it possible to control the static charge level on the web in real time using a closed loop feed back and correction routine.

Data received from the Sensor heads can also be used for quality control and process monitoring. It can be retrieved from the Manager IQ Easy through the standard Ethernet port.

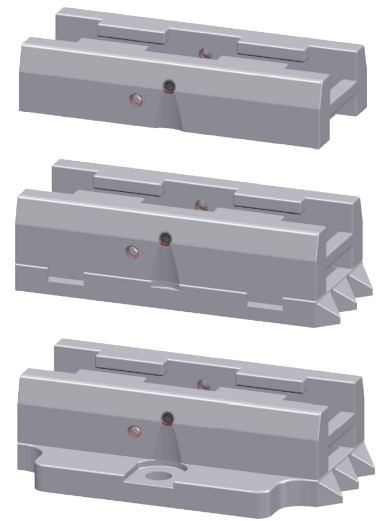
Features

- Full web width charge monitoring
- Up to 16 sensors
- Air purge to keep sensors clean

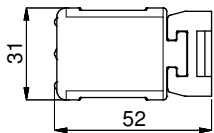


Technical specifications

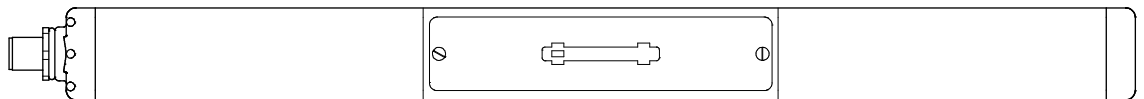
Sensor IQ Easy	
Working distance	25 - 60 mm
Housing material	(Reinforced) plastic
Cable	Low voltage
Connector	Standard M12 5 pins male
Weight	1,5 kg/m
Ambient temperature	0-55 °C
Use circumstances	Industrial
Input power	24 V DC, <0,5A (8 sensors) 24 V DC, <1A (16 sensors)
Indication	3 LED's (Power, Warning, Alarm)
Measuring range	± 40kV
Options	Air purge to keep sensors clean 1-16 sensors
Max. pressure	1 bar



Universal mounting brackets



Technical drawing Sensor IQ Easy



SIMCO ION™

An ITW Company
SensorIQEasy_PS_GB_V1_0
©Simco-Ion – All rights reserved.
Specifications are subject to change without notice.

Simco-Ion Netherlands

Postbus 71
Lochem, The Netherlands NL-7240 AB
Tel: +31 (0)573 288333
Fax: +31 (0)573 257319
general@simco-ion.nl
www.simco-ion.nl